

XUM2APCNL2R

photo-electric sensor - XUM - receiver - 15m -
12..24VDC - cable 2m



Main

Range of product	OsiSense XU
Series name	General purpose single mode
Electronic sensor type	Photo-electric sensor receiver
Sensor name	XUM
Sensor design	Miniature
Detection system	Thru beam
Material	Plastic
Type of output signal	Discrete
Supply circuit type	DC
Wiring technique	3-wire
Discrete output type	PNP
Discrete output function	1 NO or 1 NC programmable
Electrical connection	Cable
Cable length	2 m
Product specific application	-
Emission	Red thru beam
[Sn] nominal sensing distance	15 m thru beam need a transmitter XUM2AKCNL2T

Complementary

Enclosure material	PBT
Lens material	PMMA
Output type	Solid state
Add on input	Test by emission breaking
Wire insulation material	PVC
Status LED	1 LED (red) for indicator light 1 LED (green) for instability and supply on
[Us] rated supply voltage	12...24 V DC with reverse polarity protection
Supply voltage limits	10...30 V DC
Switching capacity in mA	<= 100 mA (overload and short-circuit protection)
Switching frequency	<= 1000 Hz
Voltage drop	<= 3 V (closed state)
Current consumption	13 mA (no-load)
Delay first up	< 100 ms
Delay response	0.5 ms
Delay recovery	0.5 ms
Setting-up	Sensitivity adjustment
Depth	20 mm
Height	34 mm
Width	11 mm
Product weight	0.063 kg

The information provided in this documentation contains general descriptions and/or technical characteristics of the performance of the products contained herein. This documentation is not intended as a substitute for and is not to be used for determining suitability or reliability of these products for specific user applications. It is the duty of any such user or integrator to perform the appropriate and complete risk analysis, evaluation and testing of the products with respect to the relevant specific application or use thereof. Neither Schneider Electric Industries SAS nor any of its affiliates or subsidiaries shall be responsible or liable for misuse of the information contained herein.

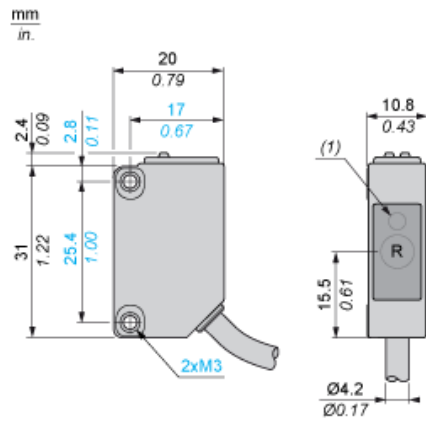
Environment

Product certifications	CE CTick CULus
Ambient air temperature for operation	-30...60 °C
Ambient air temperature for storage	-40...70 °C
Vibration resistance	7 gn, amplitude = +/- 1.5 mm (f = 10...55 Hz) conforming to IEC 60068-2-6
Shock resistance	30 gn (duration = 11 ms) conforming to IEC 60068-2-27
IP degree of protection	IP67 conforming to IEC 60529 IP65 conforming to IEC 60529

Offer Sustainability

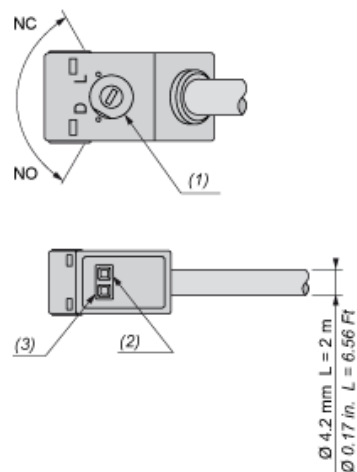
Sustainable offer status	Not Green Premium product
RoHS (date code: YYWW)	Compliant - since 1152 - Schneider Electric declaration of conformity

Receiver's Dimensions



- R : Reception
(1) Output state LED on front face

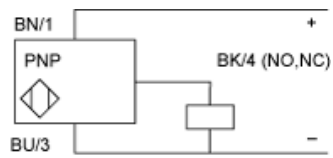
Mounting and Clearance



- (1) Configuration switch
- (2) Output state LED
- (3) Stability and power on LED

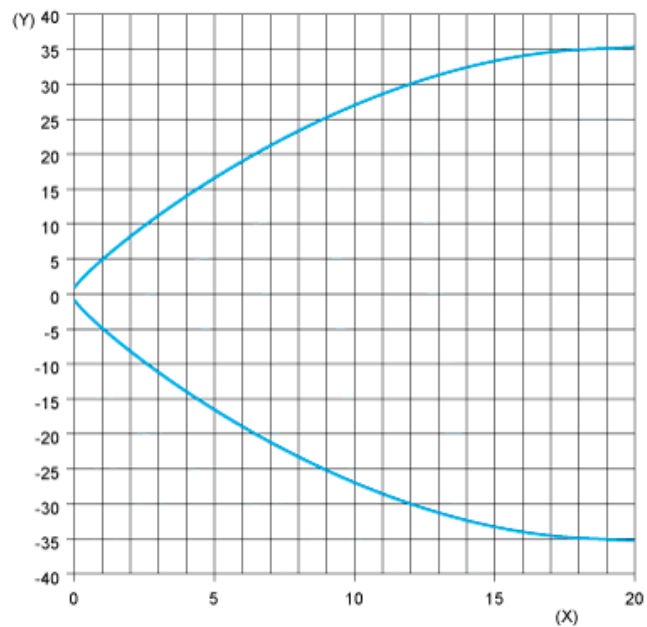
Connections and Schemes

PNP



BN : Brown
BU : Blue
BK : Black

Detection Curves



(Y) Parallel movement (cm)
(X) Distance (m)