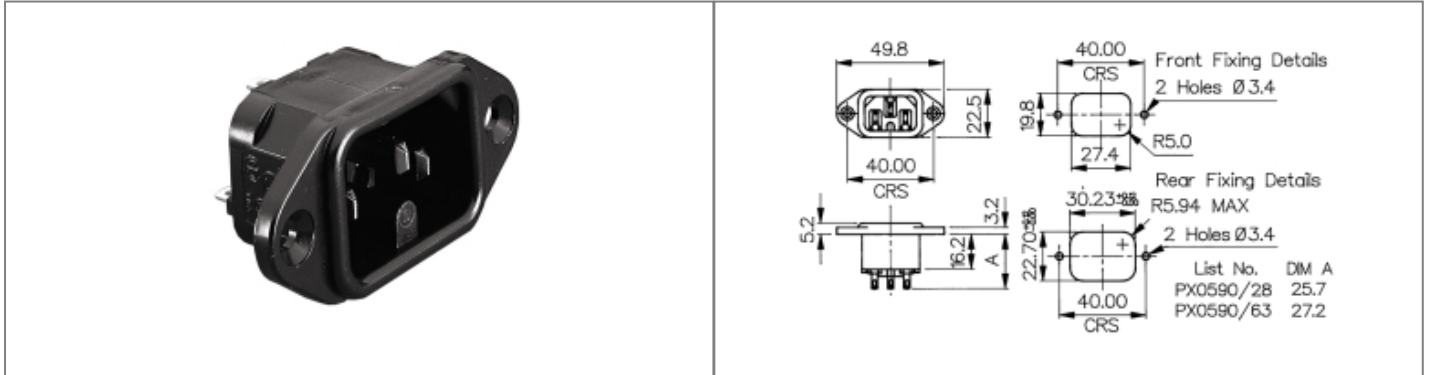


Product Name // IEC Connector Flange Mount Inlet

PX0590 Series Black 6.3mm Tab Termination EN60 320-1

Standard Sheet C15 and C16 Class I

[View Product Page](#)


// Product Description:

- ⊞ Flange Mount IEC Inlets
- ⊞ EN60 320-1 Standard Sheet C15 and C16 Class I
- ⊞ Hot Condition
- ⊞ Choice of Termination depending on part code: /28 - 2.8mm Solder Tag, /63 - 6.3mm Tab
- ⊞ Choice of colour depending on part code: /WH - White, /GY - Grey, no suffix - Black (some approvals apply to specific colours only - see data for details)
- ⊞ Insulation Boot for rear of connector available separately (part code 11328)
- ⊞ Retaining Clip KT0006 available separately to prevent accidental removal of mating connector (for use with PX0597 Female Connector only)
- ⊞ Mate with PX0597

// General Information:

Product Display Title:	Flange Mount IEC Inlets
Product Family:	IEC Connectors
Product Series:	IEC60320 Main Inlets and Outlets
Approvals:	CSA, ENEC, UL, VDE
Body Material:	Nylon 66
Current Max:	10A, 15A
Flamability Rating:	UL94V-0
Function:	Flange Mount Connector
iec Connector Colour:	Black
iec Connector Mates With:	PX0597
iec En60620 Type:	EN60 320-1 Standard Sheet C15 and C16 Class I
Max Operating Temperature:	+70°C
Min Operating Temperature:	-40°C
Number Of Contacts:	3 Contacts
Rohs Compliant:	Yes
Voltage Max:	250V

// Product PDF Links

[IEC Connectors product data](#)

// Product 3D CAD Model Links

[PX0590/633D CAD Model](#)

// Product Certificate Links

[UL Certificate](#)


Have a question or project enquiry
you'd like to talk to us about?



[Click Here To Contact Us](#)