

Preset potentiometers

Order code	Manufacturer code	Description
67-0200	PNZ10Z 100R	100R HORIZ.ENCLOSED PRESET (RC)
67-0205	PNZ10Z 220R	220R HORIZ.ENCLOSED PRESET (RC)
67-0210	PNZ10Z 470R	470R HORIZ.ENCLOSED PRESET (RC)
67-0215	PNZ10Z 1K	1K HORIZONTAL ENCLOSED PRESET (RC)
67-0220	PNZ10Z 2K2	2K2 HORIZ.ENCLOSED PRESET (RC)
67-0225	PNZ10Z 4K7	4K7 HORIZONTAL ENCLOSED PRESET (RC)
67-0230	PNZ10Z 10K	10K HORIZONTAL ENCLOSED PRESET (RC)
67-0235	PNZ10Z 22K	22K HORIZONTAL ENCLOSED PRESET (RC)
67-0240	PNZ10Z 47K	47K HORIZONTAL ENCLOSED PRESET (RC)
67-0245	PNZ10Z 100K	100K HORIZ.ENCLOSED PRESET (RC)
67-0250	PNZ10Z 220K	220K HORIZ.ENCLOSED PRESET (RC)
67-0255	PNZ10Z 470K	470K HORIZ.ENCLOSED PRESET (RC)
67-0260	PNZ10Z 1M	1M HORIZONTAL ENCLOSED PRESET (RC)
67-0270	PNZ11Z 100R	100R VERTICAL ENCLOSED PRESET (RC)
67-0275	PNZ11Z 220R	220R VERTICAL ENCLOSED PRESET RC
67-0280	PNZ11Z 470R	470R VERTICAL ENCLOSED PRESET (RC)
67-0285	PNZ11Z 1K	1K VERTICAL ENCLOSED PRESET (RC)
67-0290	PNZ11Z 2K2	2K2 VERTICAL ENCLOSED PRESET (RC)
67-0295	PNZ11Z 4K7	4K7 VERTICAL ENCLOSED PRESET (RC)
67-0300	PNZ11Z 10K	10K VERTICAL ENCLOSED PRESET (RC)
67-0305	PNZ11Z 22K	22K VERTICAL ENCLOSED PRESET (RC)
67-0310	PNZ11Z 47K	47K VERTICAL ENCLOSED PRESET (RC)
67-0315	PNZ11Z 100K	100K VERTICAL ENCLOSED PRESET (RC)
67-0320	PNZ11Z 220K	220K VERTICAL ENCLOSED PRESET (RC)
67-0325	PNZ11Z 470K	470K VERTICAL ENCLOSED PRESET (RC)
67-0330	PNZ11Z 1M	1M VERTICAL ENCLOSED PRESET (RC)

Preset potentiometers	Page 1 of 3
The enclosed information is believed to be correct, Information may change 'without notice' due to product improvement. Users should ensure that the product is suitable for their use. E. & O. E.	Revision A 04/07/2003

Enclosed preset potentiometers

A range of fully enclosed miniature, single turn pre-set potentiometers suitable for use in unfavourable environments. The regular outline facilitates use in automatic insertion machines. Adjustment may be made from both sides. Pin compatible with Piher PT10 and CITEC CT10 series.

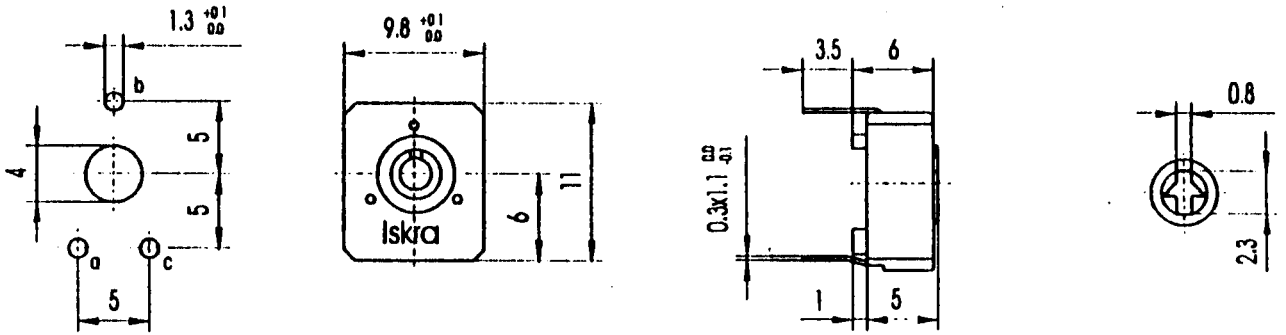
Iskra PNZ10Z and PNZ11Z series.

Technical specification

Tolerance:	20%
End resistance:	2%
Power rating:	0.15W at 40°C
Maximum voltage:	200Vdc
Temperature coefficient:	1000ppm/°C
Temperature range:	-25°C to +70°C
Electrical rotation:	240° ±5°
Mechanical rotation:	295° ± 5°
Operating torque:	4 to 20 mNm
End stop torque:	≥ 50 nMn
Weight:	0.72g

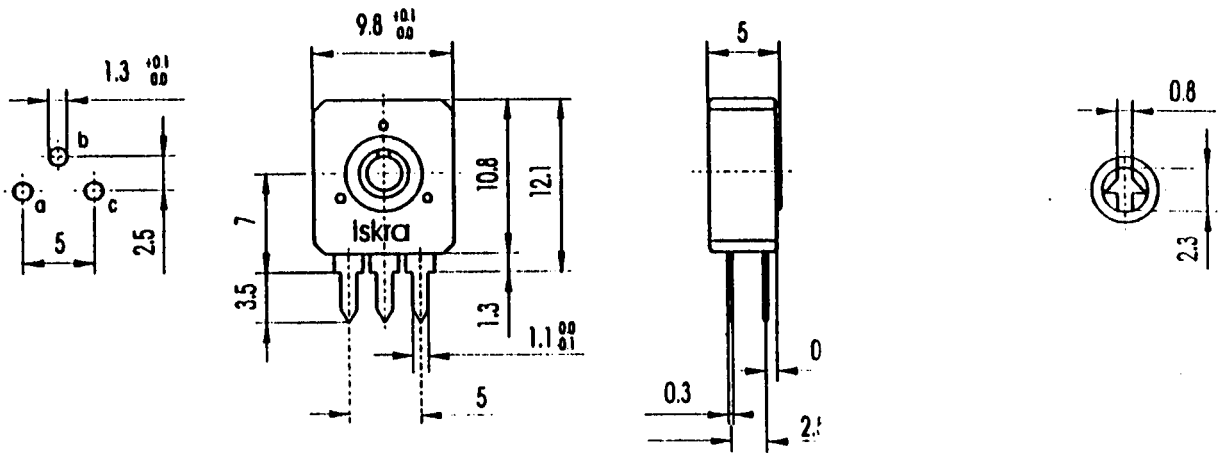
Physical Dimensions

PNZ10Z (HORIZONTAL)



ADJUSTMENT SLOT

PNZ11Z (VERTICAL)



ADJUSTMENT SLOT