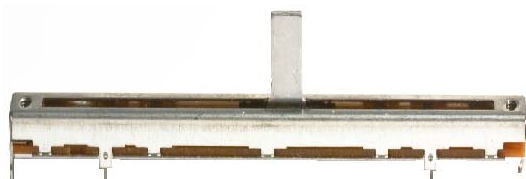


Model PS100  
 Slide Potentiometer  
 Single / Dual Gang  
 100 mm Travel  
 100,000 Cycle Life  
 Metal Shaft  
 RoHS Compliant



#### MODEL STYLE

Single Gang , 100mm Travel	PS100 -1
Dual Gang , 100mm Travel	PS100 -2

#### ELECTRICAL<sup>1</sup>

Resistance Range, Ohms	500 -1M
Standard Resistance Tolerance	± 20%
Resistance Tapers	A,B,C
Residual Resistance, Max.	Term. 1-2 : 10 ohms, Term 2-3: 30 ohms
Input Voltage, Maximum	200Vdc
Power rating, Watts	Linear B taper: 0.25W Other tapers: 0.125W
Dielectric Strength	300Vac, 1 minute
Insulation Resistance, Minimum	100M ohms at 250Vdc/ 1 minute
Sliding Noise	Less than 100mV
Gang Error	±3dB (-40dB to 0dB)

#### MECHANICAL

Static Stop Strength, Minimum	10.0 Kgf-cm
Operating Force	30gf max.

#### DURABILITY

Sliding Life	100,000 cycles
--------------	----------------

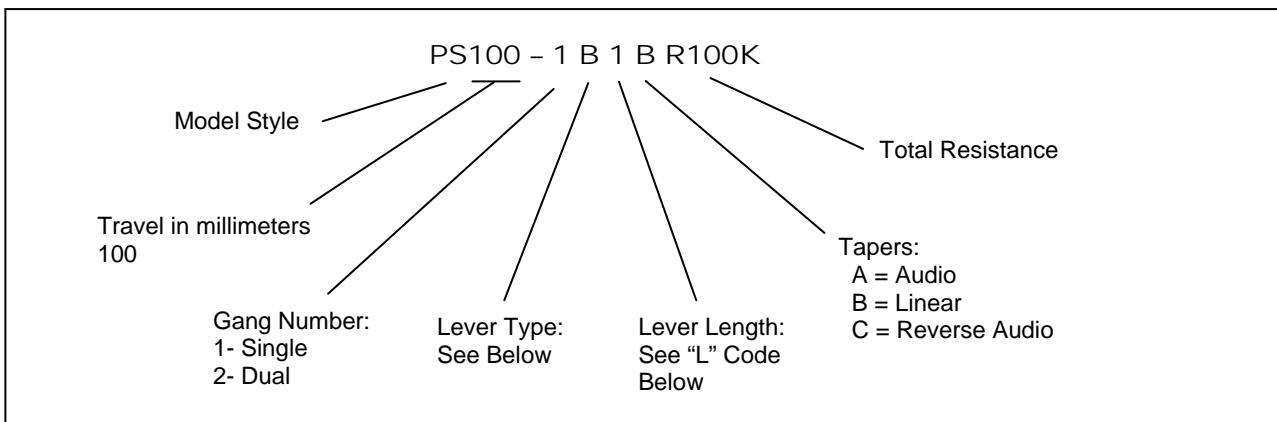
<sup>1</sup> Specifications subject to change without notice.



# Model PS100

## ORDERING INFORMATION<sup>2</sup>

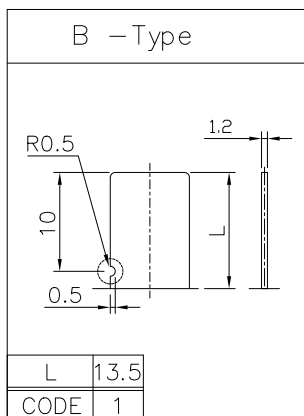
### Model PS100



## STANDARD RESISTANCE VALUES, OHMS

500	1K	2K	5K	10K	20K	50K	100K	200K	500K	1 MEG
-----	----	----	----	-----	-----	-----	------	------	------	-------

### Metal Lever Types



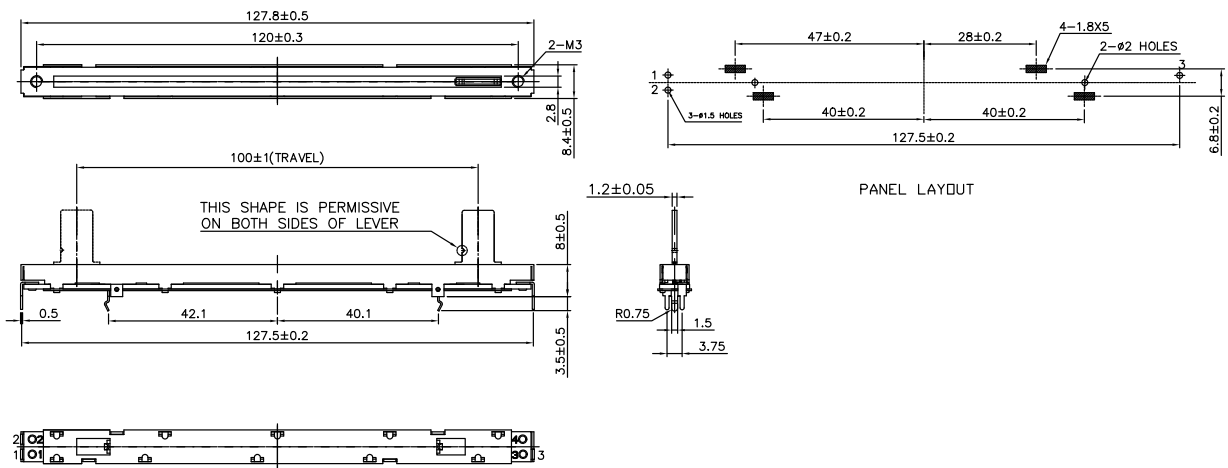
<sup>2</sup> Contact our customer service for custom designs and features.



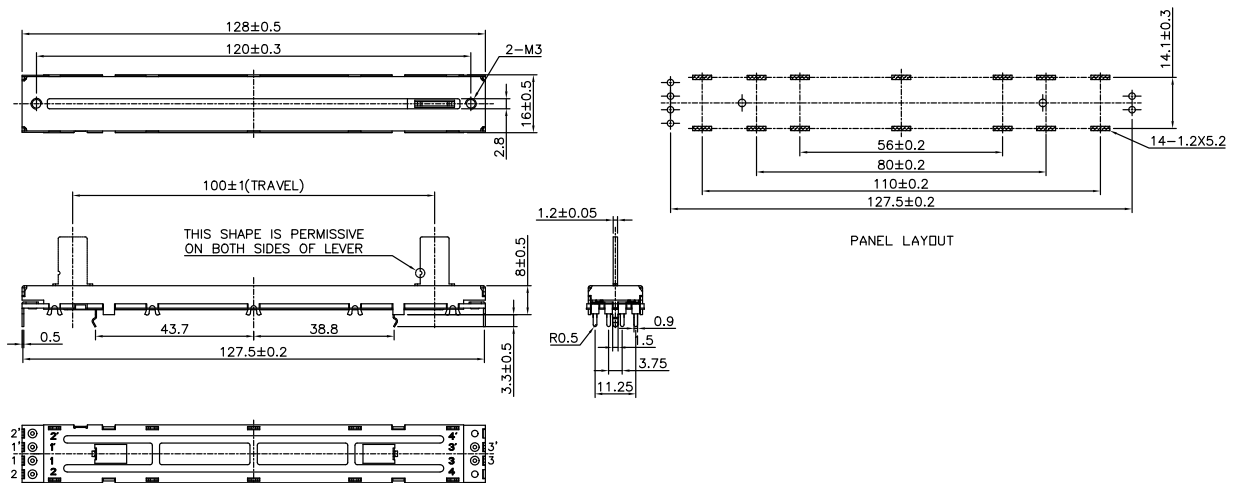
# Model PS100

## OUTLINE DRAWING

### PS100-1 Single Gang

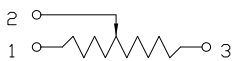


### PS100-2 Dual Gang



## CIRCUIT DIAGRAM

### PS100-1 Single Gang



### PS100-2 Dual Gang

