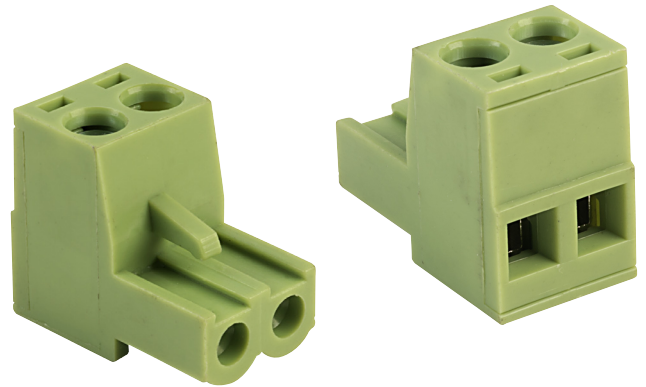


5.0mm Female Pluggable Horizontal 15A Terminal Blocks

Specifications

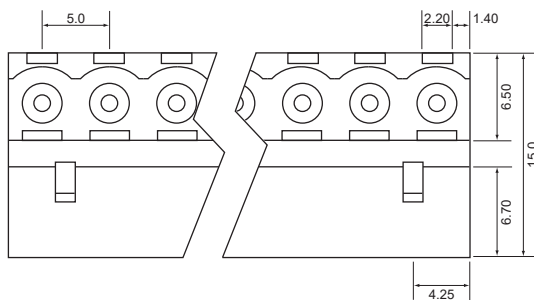
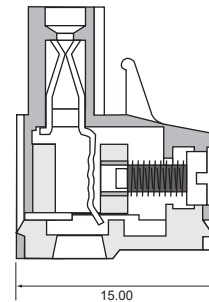
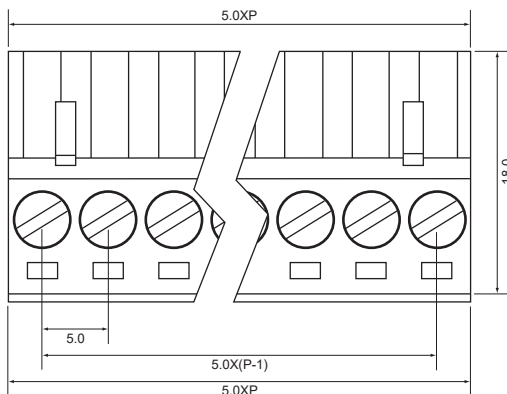
Pitch:	5.0mm
Type:	Pluggable
Poles:	2 to 12
Rated Voltage:	300V
Rated Current:	15A
Operational Temperature:	-40°C to +105°C
Withstand Voltage:	2500V AC for 60s
Insulation Resistance:	500MΩ at 500V DC
Wire Range:	28-12AWG, 2.5mm ²
Wire Stripping Length:	6-7mm ± 0.5mm
Screw Size:	M2.5
Max. Torque Value:	0.4Nm
Wave Soldering:	260°C for 5s
Hand Soldering:	350°C for 10s



Colour and Materials

Housing Colour:	Green
Housing Material:	PA66
Flame Retardancy:	UL94-V0
Screw:	Zinc-plated steel (A3)
Wire Cage:	Nickel-plated brass
Contact:	Phosphor bronze

Order Code	Poles	Order Code	Poles
21-2800	2	21-2805	8
21-2801	3	21-2887	9
21-2802	4	21-2806	10
21-2803	5	21-2888	11
21-2804	6	21-2807	12
21-2886	7		



Measurements are in mm unless stated otherwise.

For further information on pricing, delivery, and long-term stock agreements please get in touch with your local business development contact. Telephone our main office on **01206 751166** or email **Sales@Rapidoonline.com**.

The information contained in this datasheet is subject to change without notice and replaces all data sheets previously supplied.

