

INFORMATION**34" UWQHD curved monitor with USB-C dock, LAN, KVM switch and 15cm height adjustable stand**

The XCB3497WQSNP is a 34-inch curved monitor that incorporates a KVM switch and a USB-C dock to simplify your workspace. The KVM switch enhances multitasking by allowing you to control multiple computers from a single monitor, keyboard, and mouse. The USB-C dock reduces cable clutter and simplifies connectivity even further, allowing a single cable to carry video, data, and power to charge your notebook. Additionally, when the monitor is connected to a LAN network, your notebook automatically gains network access. The VA panel technology delivers high contrast and deep black levels and wide viewing angles for consistent image quality regardless of your position for a richer and more vivid viewing experience.

For optimal comfort, the 15cm height-adjustable stand allows you to customize the screen position, while the Flicker-Free panel and Blue Light reduction function help minimize eye strain.



Easy multi-device control with KVM

Easily switch between multiple computers using one monitor, keyboard, and mouse, making multitasking smooth and efficient.



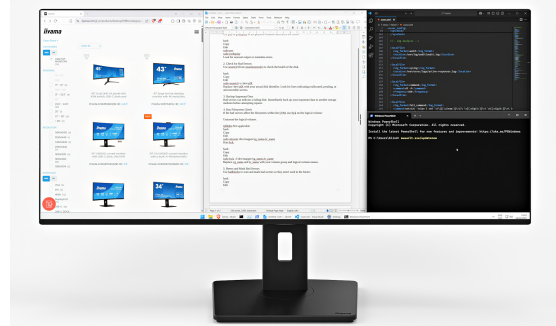
USB-C dock for tidy desk & easy connectivity

Connect everything with just one cable — handle video, data, and power while keeping your desk clean and organized.



Curved for immersive viewing

Step into an immersive, natural viewing setup that minimizes distortion and reduces eye strain during long work or entertainment sessions.



Multitasking with ultra-wide QHD

Get more space to multitask, compare documents side by side, or fully immerse in your content without switching windows.

SPECIFICATION

01 DISPLAY CHARACTERISTICS

Design	curved
Diagonal	34", 86.7cm
Panel	VA panel, matte finish
Curved	1500R
Native resolution	3440 x 1440 @120Hz (4.9 megapixel UWQHD, DisplayPort & USB-C)
Aspect ratio	21:9
Panel brightness	350 cd/m ²
Static contrast	3000:1
Advanced contrast	80M:1
Response time (MPRT)	0.4ms
Viewing zone	horizontal/vertical: 178°/178°, right/left: 89°/89°, up/down: 89°/89°
Colour support	16.7mIn (sRGB: 99%; NTSC: 93%)
Horizontal Sync	30 - 180kHz
Viewable area W x H	797.2 x 333.7mm, 31.3 x 13.1"
Pixel pitch	0.232mm
Colour	matte, black

02 INTERFACES / CONNECTORS / CONTROLS

Signal input	HDMI x2 (1x v.2.0 and 1x v. 1.4, 3440x1440 @100Hz, 2560x1440 @120Hz) DisplayPort x1 (v.1.4, 3440 x 1440@ 120Hz) USB-C x1 (3440 x 1440@ 120Hz, PD 95W)
USB HUB	x4 (2x Type A v.3.2 Gen 1 (5Gbps, 4.5W) 2x Type C (5Gbps, 7.5W))
USB-C DOCK	x1 (Power delivery 95W, LAN, USB v. 3.2 (Gen 1, 5Gbit))
HDCP	yes
Headphone connector	yes
RJ45 (LAN)	x1

03 FEATURES

KVM switch	yes
Blue light reducer	yes
Flicker free	yes
Adaptive Sync support	FreeSync Premium, HDMI: 2560 x 1440 @48-100Hz, DP / USB-C: 3440 x 1440 @48-120Hz
Extra	i-Style Colour
OSD languages	EN, DE, FR, ES, IT, RU, JP, CZ, NL, PL
Control buttons	Joystick: Power/Menu (Centre), Forward/Signal Select, Backward, Left/i-Style colour/ECO/BlueLight Reducer, Right/Volume

User controls	picture adjust (brightness, contrast, Eco, ACR, OD, AdaptiveSync, motion blur reduction, X-Res technology, black tuner), colour settings (6-axis, i-Style colour, blue light reducer, gamma, RGB range, colour temp.), OSD (OSD H. position, OSD V. position, OSD time, OSD background, DDC/CI control, display information), language, miscellaneous (sharpness, video mode adjust, opening logo, power LED, Mac address, USB charge, USB C speed), KVM (HDMI1, HDMI2, DisplayPort, USB C), input select, audio settings (volume, mute audio), recall
Speakers	2 x 5W
Convenience	Kensington-lock™ prepared, DDC2B

04 MECHANICAL

Display position adjustments	swivel, tilt
Height adjustment	150mm
Swivel stand	90°; 45° left; 45° right
Tilt angle	23° up; 5° down
VESA mounting	100 x 100mm
Cable management system	yes

05 ACCESSORIES INCLUDED

Cables	power, USB, HDMI, DP, USB-C
Other	quick start guide, safety guide

06 POWER MANAGEMENT

Power supply unit	internal
Power supply	AC 100 - 240V, 50/60Hz
Power usage	32W default, 0.5W stand by, 0.3W off mode

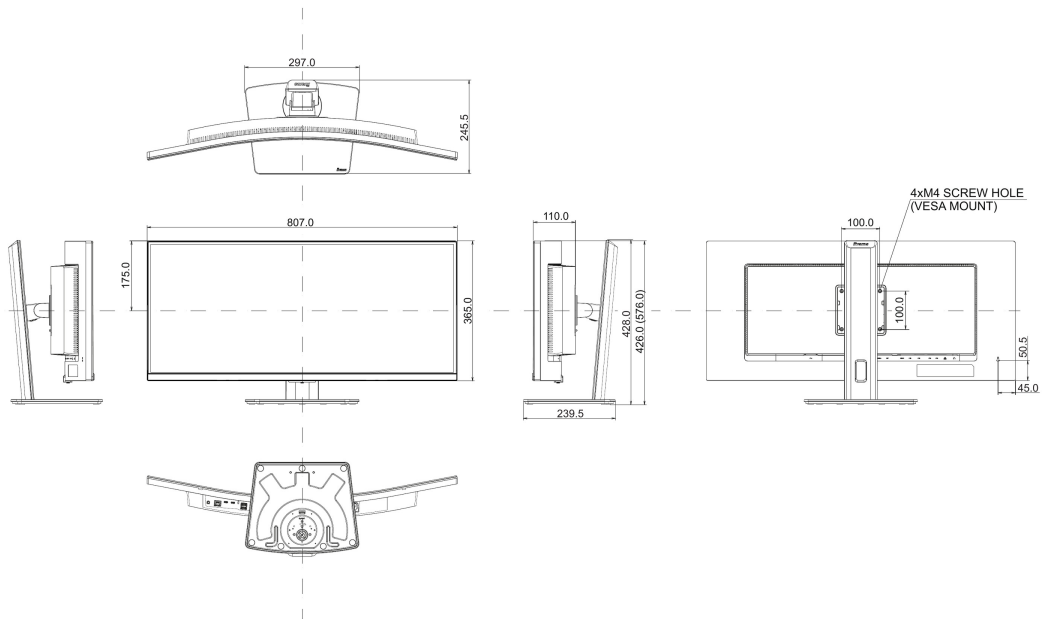
07 SUSTAINABILITY

Regulations	TCO Certified, CE, TÜV-GS, EAC, VCCI-B, PSE, RoHS support, ErP, WEEE, REACH, UKCA
Energy efficiency class (Regulation (EU) 2017/1369)	F
EPEAT Silver	*registration varies by country, go to www.epeat.net for details
REACH SVHC	above 0.1%: Lead

08 DIMENSIONS / WEIGHT

Product dimensions W x H x D	807 x 426 (576) x 245.5mm
Box dimensions W x H x D	928 x 480 x 186mm
Weight (without box)	9.7kg
Weight (with box)	14.1kg

EAN code 4948570125142







All trademarks and registered trademarks acknowledged. E & O E. Specification subject to change without notice. All LCD's comply with ISO-9241-307:2008 in connection with pixel defects. © **IYAMA CORPORATION. ALL RIGHTS RESERVED**