



DOBOT M1 PRO

Collaborative SCARA Robot

DOBOT M1Pro

DOBOT M1 Pro is the world's first SCARA robot arm for small and medium-sized factories. Lightweight and portable, the 4-axis robot arm delivers fast setup and flexible deployment. In addition, M1 Pro's effective cost, easy programming and low maintenance make it a perfect automation solution for small & medium-sized enterprises (SMEs).

COLLABORATIVE AND SAFE

M1 Pro can collaborate with human operators with no safety guarding (after risk assessment). The collision detection is designed to be alert and sensitive enough to ensure no danger when contacts occur. The lightweight arm of 62mm width, which is 40% narrower than the traditional industrial robotic arm, could effectively lower the damage to the machine.

EASY PROGRAMMING

M1 Pro supports wireless control with different devices with multiple programming options. The operator can drag and drop to program on DOBOT's graphical programming software after simple training. Another option would be a hand-guided teaching pendant. The robot arm can accurately emulate human actions by demonstrating the path with the operator's hands. It significantly saves time on testing and simplifies the process of programming.

SMART PERFORMANCES

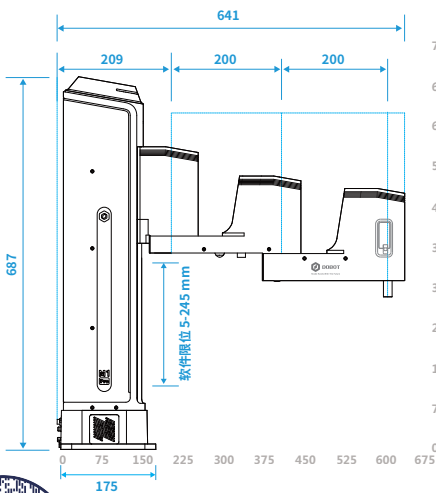
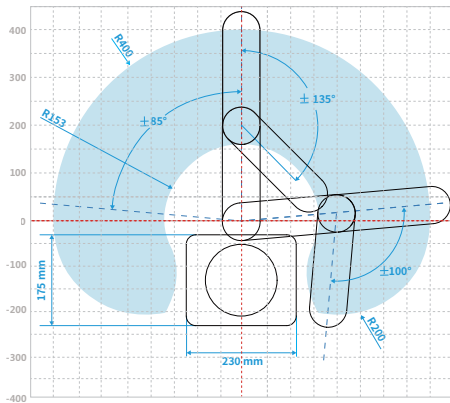
M1 Pro's encoder interface supports conveyor tracking functionality to adjust robot paths to the motion of a conveyor. Using interpolation, M1 Pro improves path planning automatically while maintaining the smoothness of moving. This guarantees the consistent quality of work and production, such as the gluing application. Moreover, M1 Pro features multi-thread and multi-task technology.

LOW STARTUP COST, FAST RETURN ON INVESTMENT

M1 Pro could effectively speed up the integration and production debugging time, lower the startup costs and operating costs for businesses. In the long run, creates substantial profit margins and offers businesses a quick return on investment.



PARAMETERS



Product Name	DOBOT M1 Pro		
Product Model	DT-M1-P4R15-01I		
Number of Axes	4		
Rated Load	1.5kg		
Max. Reach	400 mm		
Repeatability	±0.02 mm		
Motion Parameters	Joint	Motion Range	Max.Speed
	J1	±85°	180°/s
	J2	±135°	180°/s
	J3	5mm ~ 245mm	1000mm/s
J4	±360°	1000°/s	
Power Supply	100-240 V AC, 50/60 Hz		
Rated Voltage	DC 48 V		
Rated power	192 W		
Communication	TCP/IP, Modbus TCP		
Installation	Desktop		
Weight	15.7 kg		
Base Dimension	230 mm × 175 mm		
Working Environment	0 °C ~40 °C		
Software	DobotStudio 2020, SCStudio		



@dobot