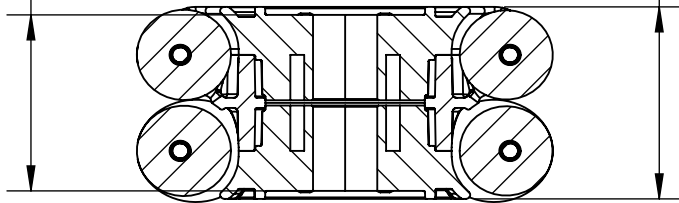
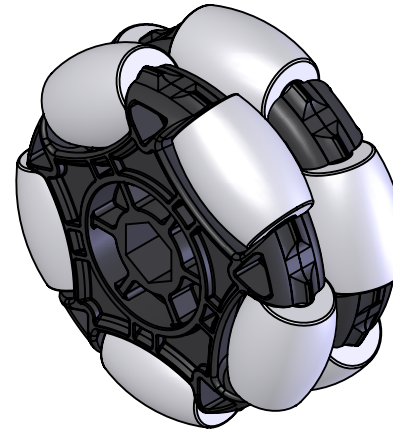


[34.93]  
1.375  
HUB WIDTH

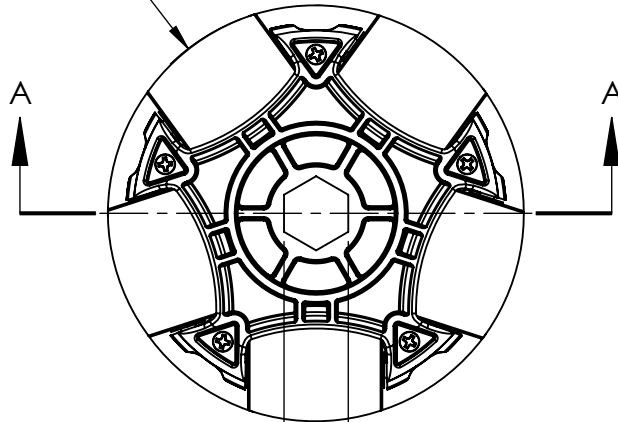


[38.10]  
1.500  
CASE WIDTH

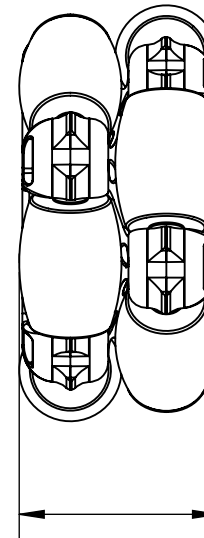


SECTION A-A

[82.55]  
Ø 3.250  
WHEEL DIAMETER



[12.70]  
.500  
HEX



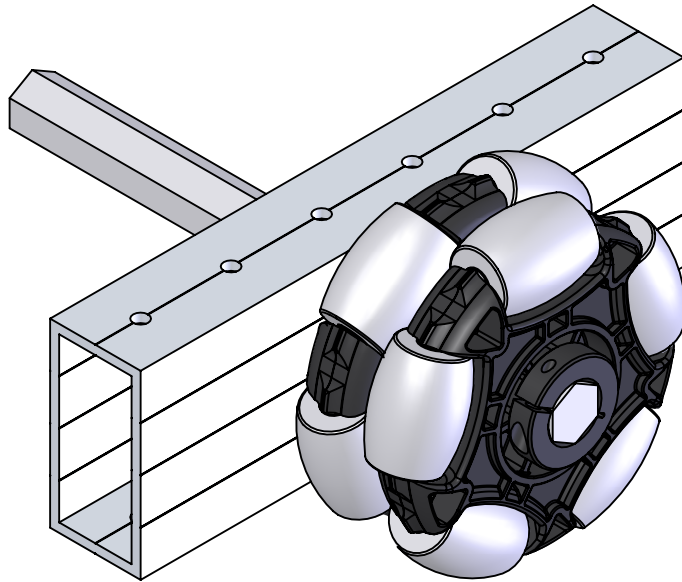
[39.35]  
1.549  
MAX WIDTH



Description		VEXpro 3.25 OMNI WHEEL	
Dwg No		217-4775 Release	
Project		VEXpro	Sheet 1 of 2
Release	8/24/2015	ALL DIMENSIONS ARE IN INCHES [MM].	

PROSUPPORT@VEX.COM  
WWW.VEXPRO.COM

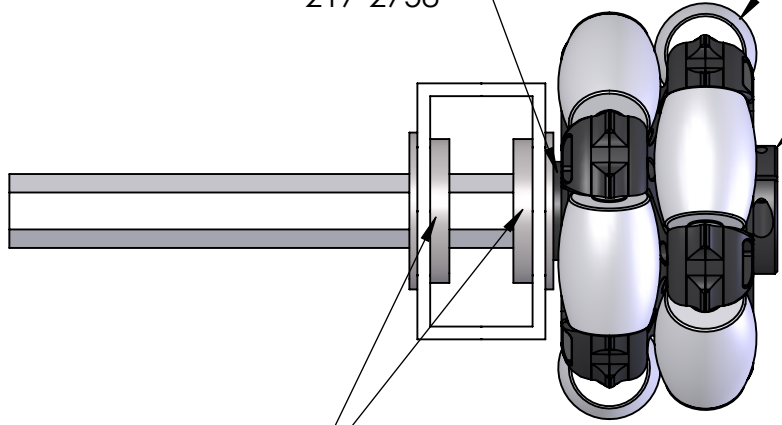
EXAMPLE: CANTILEVERED WHEEL USAGE AND SPACING



1/8" SPACER - 1/2" HEX (SEE NOTE)  
217-2758

3.25" OMNI WHEEL  
217-4775

1/2" HEX SHAFT COLLAR  
217-2737



1/2" HEX BEARING  
217-3875

NOTES:

(1) 1/8" THICK SPACER RECOMMENDED FOR ROLLER CLEARANCE WHEN MOUNTING DIRECTLY BESIDES ANOTHER PART



Description	VEXpro 3.25 OMNI WHEEL	
Dwg No	217-4775 Release	
Project	VEXpro	Sheet 2 of 2
Release	8/24/2015	<b>ALL DIMENSIONS ARE IN INCHES [MM].</b>

**PROSUPPORT@VEX.COM**  
**WWW.VEXPRO.COM**