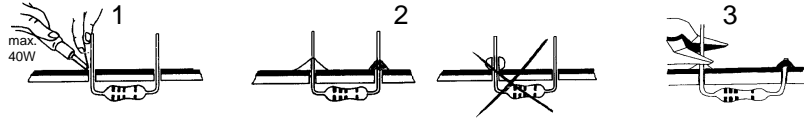


Order code	Manufacturer code	Description
70-4168	n/a	VELLEMAN LCD MINI MESSAGE BOARD KIT

	Page 1 of 2
The enclosed information is believed to be correct, Information may change 'without notice' due to product improvement. Users should ensure that the product is suitable for their use. E. & O. E.	Revision A 04/07/2003



**START**

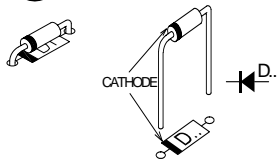
**1** Resistor - Weerstand - Résistance - Widerstand - Resistencia - Motstånd - Vastus - Resistenze  
 ◇ R1 ... R5 : 10K

(Brown, Black, Orange) - (Bruin, Zwart, Oranje) - (Brun, noir, Orange) - (Braun, Schwarz, Orange) - (Brun, Svart, Orange) - (Ruskea, Musta, Oranssi) - (Marrón, Negro, Naranjado) - (Castanho, Preto, Laranja) - (Marrone, Nero, Aranciato)



**2**

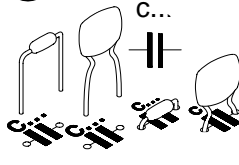
DIODE



◇ D1 : BAT85  
 ◇ D2 : BAT85

**3**

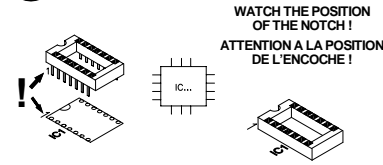
CAPACITOR



◇ C2 : 100nF (104)  
 ◇ C3 : 100nF (104)

**4**

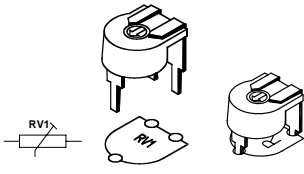
IC SOCKET



◇ IC1 : 14p

**5**

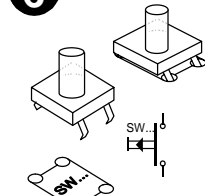
TRIMMER



◇ RV1 : 1K

**6**

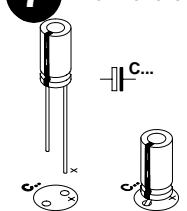
PUSH BUTTON



◇ SW1 : KRS0610 ◇ SW3 : KRS0610  
 ◇ SW2 : KRS0610 ◇ SW4 : KRS0610

**7**

ELECTROLYTIC CAPACITORS

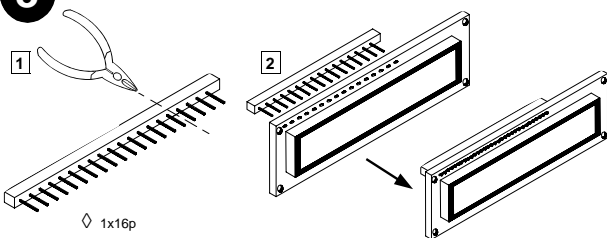


◇ C1 : 100µF  
 ◇ C4 : 1µF



**8**

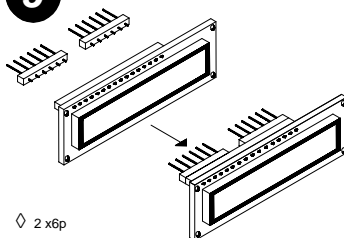
FEMALE CONNECTOR



◇ 1x16p

**9**

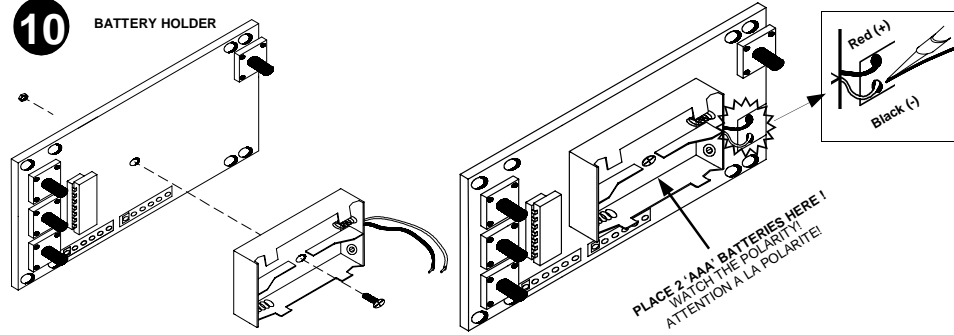
MALE CONNECTOR



◇ 2 x6p

**10**

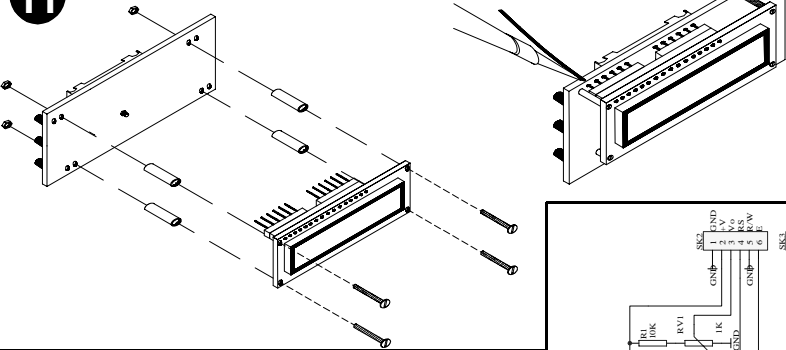
BATTERY HOLDER



PLACE 2 'AAA' BATTERIES HERE!  
 WATCH THE POLARITY!  
 ATTENTION A LA POLARITE!

**11**

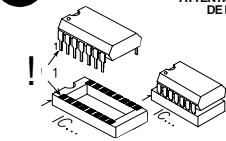
LCD DISPLAY



**12**

IC

WATCH THE POSITION OF THE NOTCH!  
 ATTENTION A LA POSITION DE L'ENCOCHE!



◇ IC1 : PIC16C505

Press 'ENTER' to enable unit  
 Press and hold 'ENTER' to 'enter menu'.  
 Choose from menu with 'UP' key  
 Confirm with 'ENTER'  
 In 'EDIT'-mode select char with UP/DOWN/SPACE  
 Confirm with 'ENTER'  
 Press 'ENTER' and 'DOWN' to leave 'EDIT'-mode  
 In 'SET SPEED'-mode set speed with UP/DOWN

