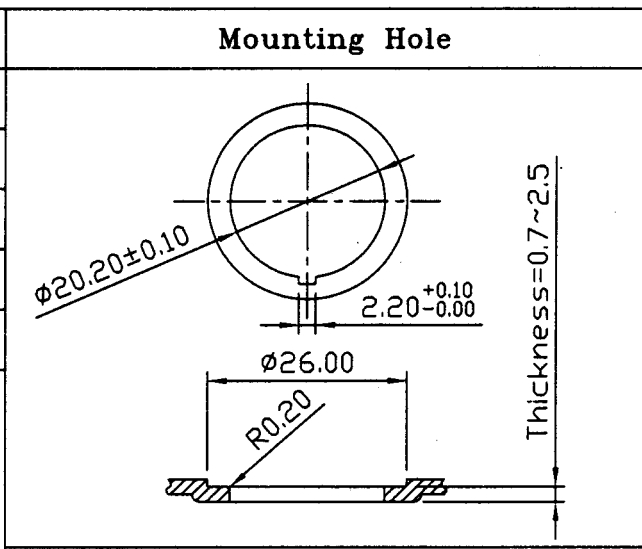
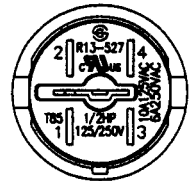
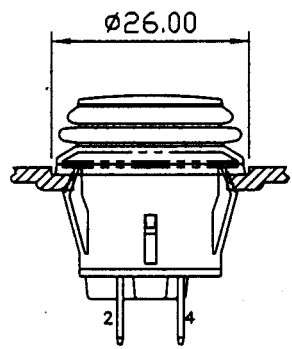
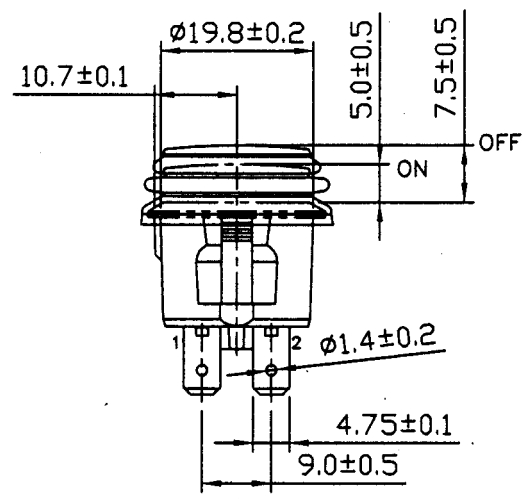
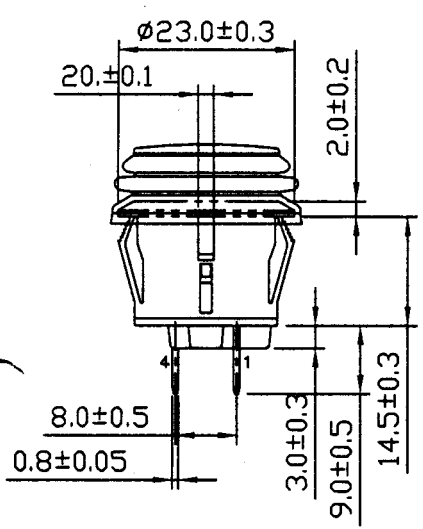
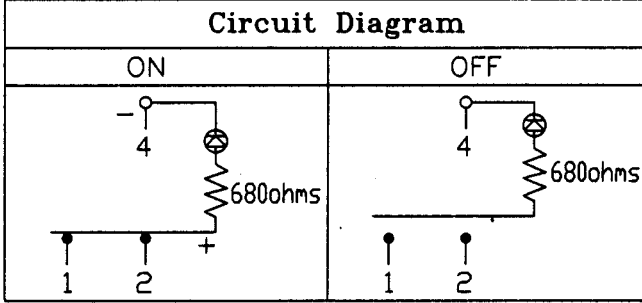
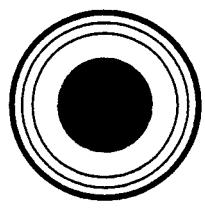


Rating	20A 14VDC
Contact R	50m ohm Max.
Insulation R	DC 500V 100M ohm Min.
Voltage Breakdown	AC 1500V 1 minute
Operation Temperature	-25°C ~ 85°C
Circuit	3P SPST ON-OFF (LED)



***MATERIAL:**
 Frame: Nylon 66 (94-V2)
 Actuator: PC clear (94-V2)
 Waterproof Rubber: Silicone
 Terminals: Silver plated, Copper alloy
 Printed: None



COLOR	Frame	Actuator	LED	Waterproof Rubber
1830645	Black	Red	Red	Black
1830646	Black	Green	Green	Black

C3\WORK14\R13-527D2B-DC

Date	Name	Description:				REV.	0	No.
Drawing	Check	Approval	SCI No.	SEE TABLE	Model Name	PUSH SWITCH		
B.S.Wang	<i>[Signature]</i>	<i>[Signature]</i>	Customer No.		Model No.	R13-527D2B-02		
12/21/06	12/21/06	12/21/06	Unit	mm	SHIN CHIN INDUSTRIAL CO., LTD.			