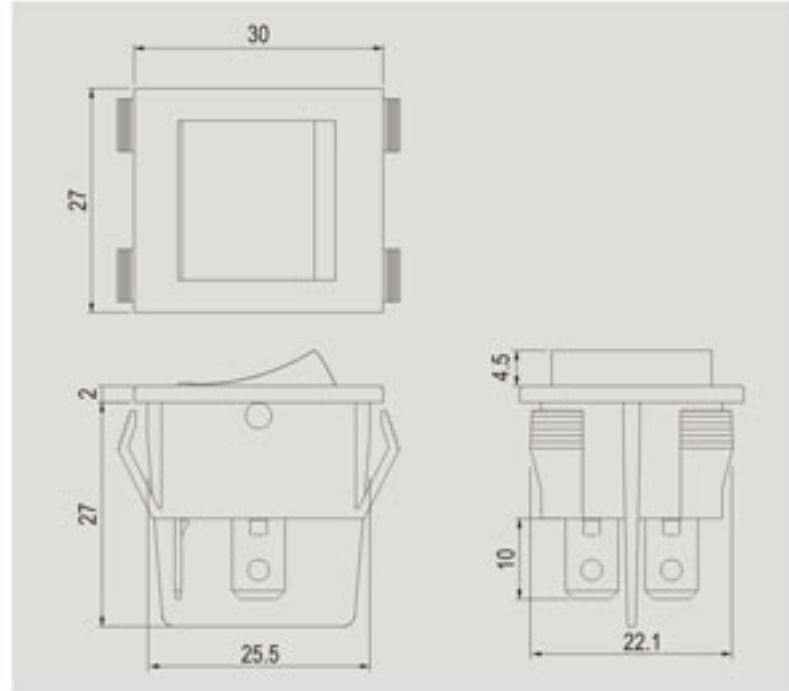


R13-30.31



Rating
16A 125V AC 10A 250V AC
Contact resistance
50mΩ Max
Insulation resistance
DC 500V 100MΩ Min
Dielectric strength
AC 1500V 1 minute
Cut-out



Actuator Size	X	Y
0.75-1.25	27.2±0.1	22.5±0.1
1.25-2	27.4±0.1	22.5±0.1
2-3	27.8±0.1	22.5±0.1

FEATURES

- * MATERIAL: Frames are nylon (UL flame: 94V-2). Terminals are silver plated brass.
- * Illuminated actuators are molded in PC, available with red, amber and green colors.
- * Snap-in mounting, easy to install switch into panel.

R13- [] [] [] - [] []

ROCKER	FUNCTION	TERMINAL
3 0 	A 4P DPST	0 1 .250" SQ
3 1 	B NIAR13-31 4P DPST (ILLUMINATED) 125VAC 33KΩ / 250VAC 150KΩ	
	C 6P DPDT	
	D 6P DPDT	

