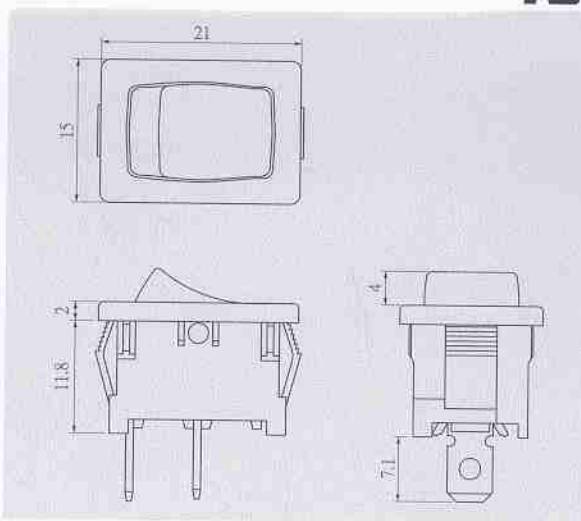


# R13-66



Contact resistance
50mΩ Max
Insulation resistance
DC 500V 100MΩ Min
Dielectric strength
AC 1500V 1 minute
Cut-out

	X	Y
	X	Y
0.75-1.25	19.2-0.1	13.0+0.1
1.25-2	19.4-0.1	13.0+0.1
2-3	19.8-0.1	13.0+0.1

## FEATURES

- \* MATERIAL: Frames are nylon (UL flame: 94V-2). Terminals are silver plated brass.
- \* Illuminated actuators are molded in PC, available with red, amber, and green colors.
- \* Snap-in mounting, easy to install switch into panel.
- \* Waterproof cover is optional.
- \* Dust resistant.



## R13-66

FUNCTION			RATING	TERMINAL
<b>A</b>  ON OFF 2P SPST	<b>C</b>  ON ON 3P SPDT	<b>G</b>  ON ON (ON) 3P SPDT	10A 125V AC 6A 250V AC  <b>A</b> 16A 125V AC 10A 250V AC	0 2  .187" SQ
<b>A 3</b>  ON OFF 2P SPST	<b>D</b>  ON OFF ON 3P SPDT	<b>H</b>  ON OFF (ON) 3P SPDT		<b>S</b> 6A 125V AC 3A 250V AC
<b>B</b>  ON OFF 3P SPST (ILLUMINATED) 125VAC 33KΩ / 250VAC 150KΩ	<b>E</b>  ON (OFF) 2P SPST	<b>I</b>  (ON) OFF (ON) 3P SPDT	R13-66S-02  R13-66D-02  R13-66E-02  R13-66L-02  R13-66L-05	
<b>B 2</b>  ON OFF 3P SPST (ILLUMINATED) 125VAC 33KΩ / 250VAC 150KΩ	<b>F</b>  (ON) OFF 2P SPST	<b>L</b>  ON OFF 4P SPST (LED) LED Rating @ 10MA V <sub>f</sub> =1.85V		

\* ( ) = momentary