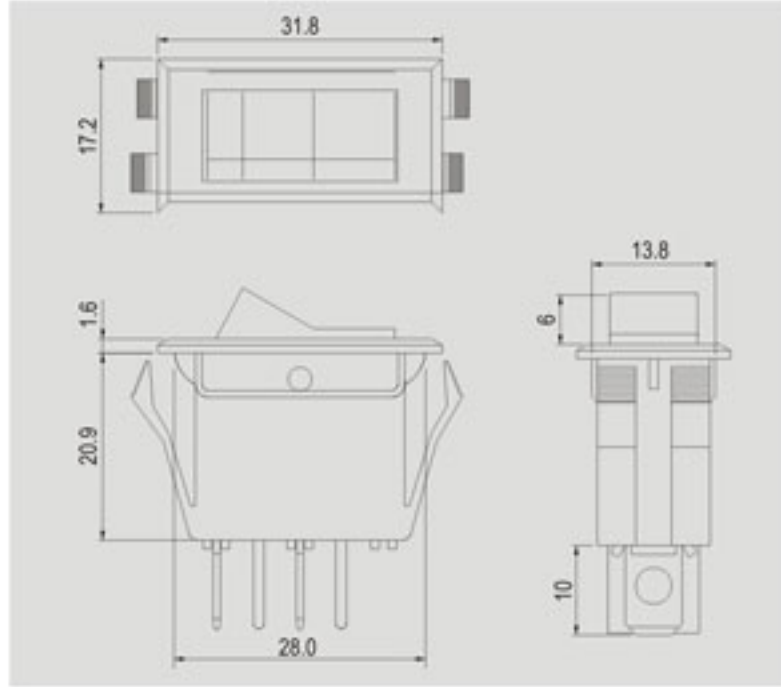


R13-72



Rating

15A 125V AC 1/8HP 125VAC
10A 250V AC 1/3HP 250VAC

Contact resistance

50mΩ Max

Insulation resistance

DC 500V 100MΩ Min

Dielectric strength

AC 1500V 1 minute

Cut-out



Terminal	X	Y
0.75-1.25	28.6-0.1	14.0+0.1
1.25-2	28.8-0.1	14.0+0.1
2-3	29.2-0.1	14.0+0.1

FEATURES

- * MATERIAL: Frames are nylon (UL flame: 94V-2). Terminals are silver plated brass.
- * Illuminated actuators are molded in PC, available with red, amber and green colors.
- * Snap-in mounting, easy to install switch into panel.

R13-72

FUNCTION		TERMINAL
A ON OFF 2P SPST	F (ON) OFF 2P SPST	0 1 .250" SQ
B ON OFF 3P SPST (ILLUMINATED) 125VAC 33KΩ / 250VAC 150KΩ	I (ON) OFF (ON) 3P SPDT	
* () = momentary		
C ON ON 3P SPDT		
D ON OFF ON 3P SPDT		

