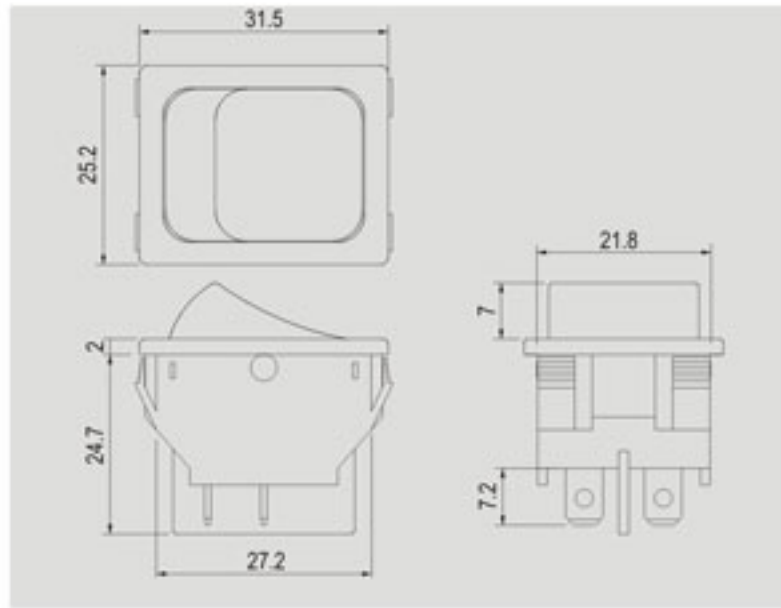


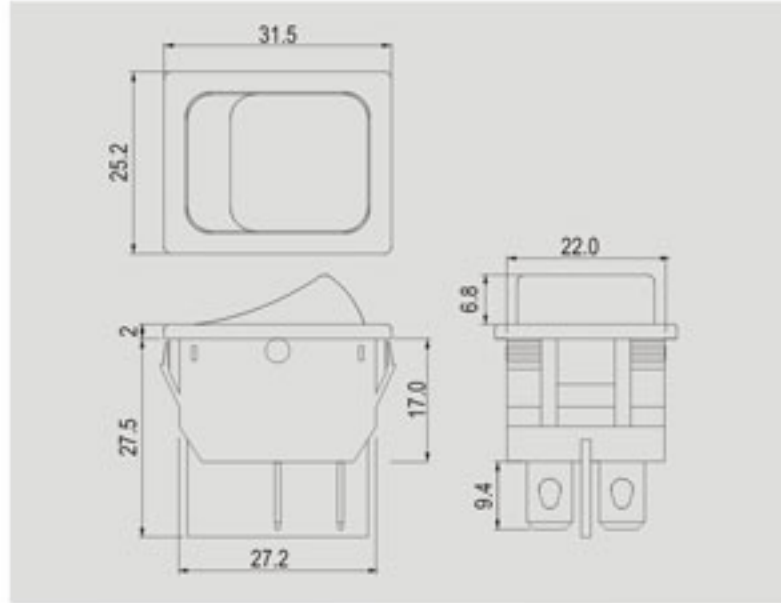
Different Terminal

R13-87



Rating	16A 125V AC 10A 250V AC
Contact resistance	50mΩ Max
Insulation resistance	DC 500V 100MΩ Min
Dielectric strength	AC 1500V 1 minute
Cut-out	X Y

R13-117



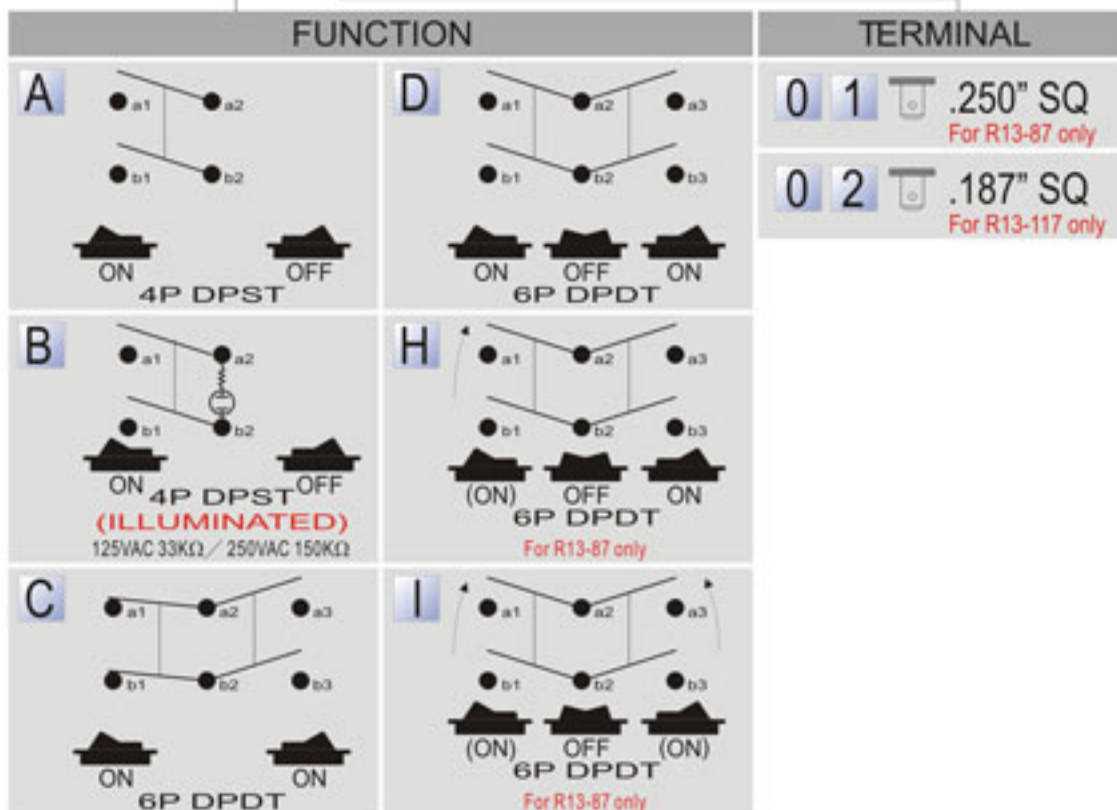
±0.25	X	Y
0.75-1.25	30.2-0.1	22.2+0.1
1.25-2	30.4-0.1	22.2+0.1
2-3	30.8-0.1	22.2+0.1

FEATURES

- * MATERIAL: Frames are nylon (UL flame: 94V-2). Terminals are silver plated brass.
- * Illuminated actuators are molded in PC, available with red, amber and green colors.
- * Snap-in mounting, easy to install switch into panel.
- * Waterproof cover is optional.



R13-87 - 0 1
R13-117 - 0 2



* () = momentary

