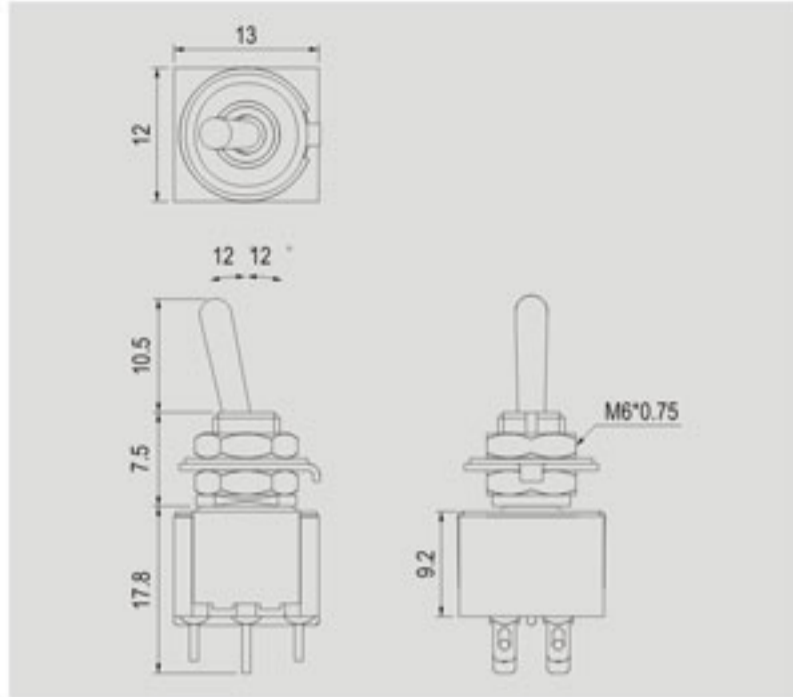


(55 SERIES) TA2



Rating
6A 125V AC 3A 250V AC
Contact resistant
50mΩ Max
Insulation resistant
DC 500V 100MΩ Min
Dielectric strength
AC 1000V 1 minute
Cut out

FEATURES

- * MATERIAL: Blue alkyd or brown phenolic base (UL flame: 94V-0).
- * Contacts and Terminals are copper with silver alloy and silver plated.
- * Epoxy sealed for dust and moisture resistant.
- * Colorful handle covers and waterproof boot are optional for toggle type A.



TA2

FUNCTION		LEVER	TERMINAL
0 1 4P DPST	0 5 6P DPDT	A Standard 2.8 10.5	1 SO 2 PC 3 PC Angle(2.54) 5 PC Angle(3.8)
0 2 6P DPDT	0 6 6P DPDT	F Flat 5 12	
0 3 6P DPDT		G Plastic 5 15	
0 4 6P DPDT			

