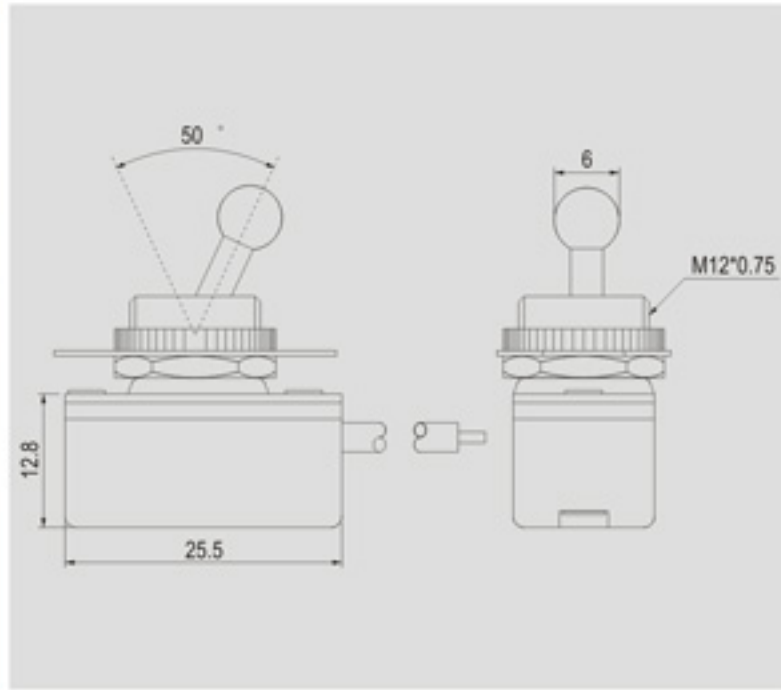


R13-36



Rating
6A 125V AC 3A 250V AC
Contact resistance
50mΩ Max
Insulation resistance
DC 500V 100MΩ Min
Dielectric strength
AC 1000V 1 minute
Cut-out

FEATURES

- * MATERIAL: Metal lever and bushing are nickel plated metal. Frames are metal plated.
- * Phenolic base.
- * Indicator plate and waterproof boot are optional.



For waterproof toggle, please refer to page 1-2 (W-1785)

R13-36

FUNCTION	LEVER & MOUNTING SHAFT	TERMINAL
A 2P SPST	1 4.3 mm max	0 5 SO 0 8 SC 6-32UNC 1 1 WIRE
	2 2 mm max	
	3 10.0 mm max	

