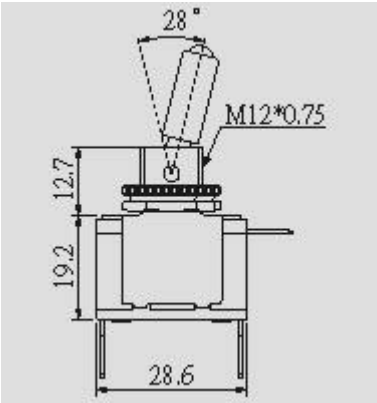


R13-404

R13-404



20A 12V DC

Ø 12.2

6 mm max

R13-404



FUNCTION

TERMINAL

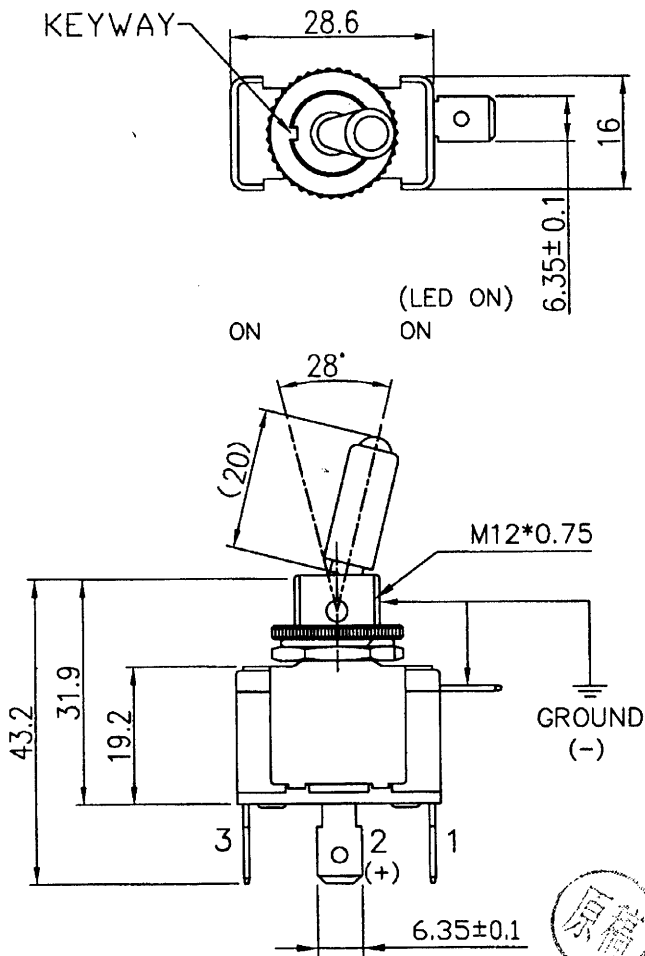


0 1



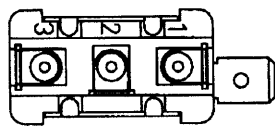
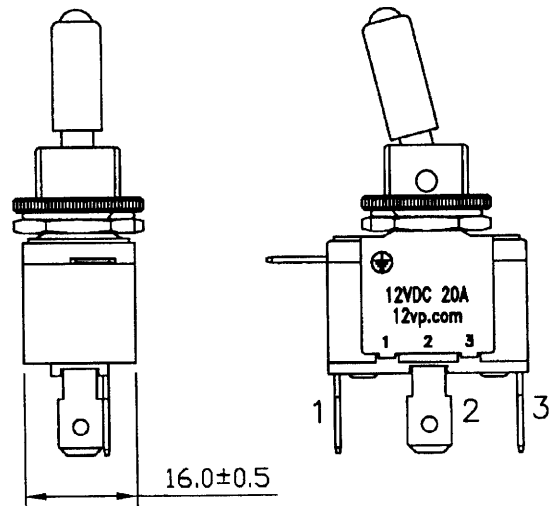
.250" Quick connect

| | | | |
|---------------------|-----------------------|------------|-------------------|
| Rating | 20A 12VDC | Mount Hole | Circuit Structure |
| Contact R | 50m ohm Max. | | |
| Insulation R | DC 500V 100M ohm Min. | | |
| Dielectric Strength | AC 1500V 1 minute | | |
| Circuit | 4P SPST ON-ON (LED) | | |



Descriptions:

1. Material: Frames are nylon (UL flame: 94V-2). Terminals are silver plated brass.
2. LED indicator on the top of lever. LED red.



一般公差±0.5

C8\R13\R13-404CL-01(RED)

| | | | | | | △ |
|----------|------------|--------------------|--------------|---------|--------------------------------|---------------|
| | | | | | | △ |
| | | | | | | NO |
| Date | Name | Descriptions | | | | |
| Drawing | Check | Approval | SCI No. | 1811319 | Model Name | TOGGLE SWITCH |
| 曹盈芳 | <i>曹盈芳</i> | <i>[Signature]</i> | Customer No. | | Model No. | R13-404CL-01 |
| 02/02/04 | <i>曹盈芳</i> | <i>[Signature]</i> | Unit | mm | SHIN CHIN INDUSTRIAL CO., LTD. | |