
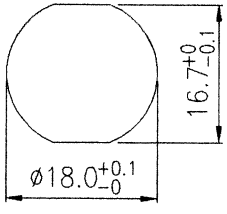
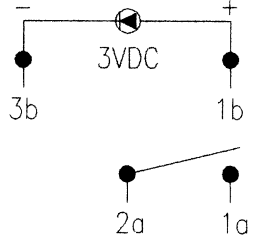
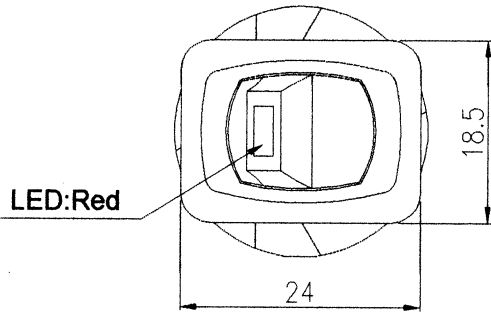
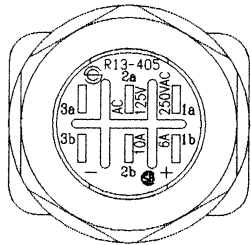
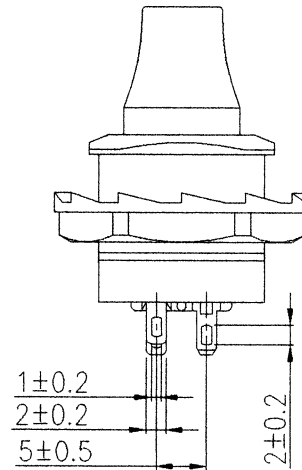
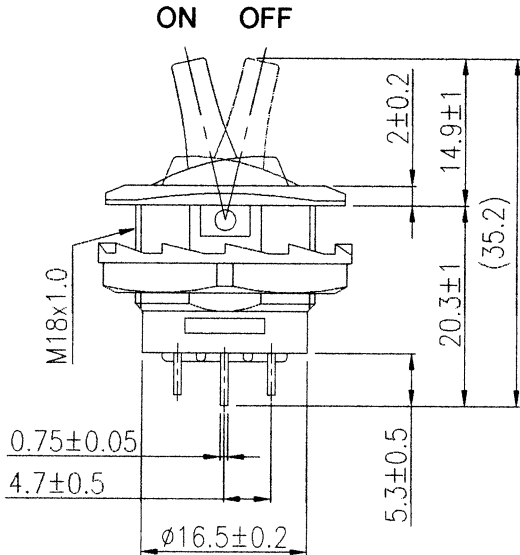



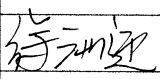
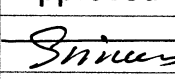
|                       |  |  |   |
|-----------------------|--|--|---|
| Rating                | 10A 125V, 6A 250V AC  | <b>Mounting Hole</b><br> | <b>Circuit Diagram</b><br> |
| Contact Resistance    | 50m ohm Max.   |  |   |
| Insulation Resistance | DC 500V 100M ohm Min.  |  |   |
| Dielectric Strength   | AC 1500V 1 minute  |  |   |
| Switch Function       | 4P SPST ON-OFF (LED Independent)   |  |   |



**Material:**  
**Frame: Black, Nylon 66**  
**Toggle: Black, Nylon 66**



Tolerances  $\pm 0.3$  Unless Otherwise Specified

|          |   |   |              |         |   |
|----------|---|---|--------------|---------|---|
| 09/27/13 | 柳新強   | 修正螺帽視圖  |              |         |  |
| Date     | Name  | Description   |              |         | No.   |
| Drawn    | Checked   | Approved  | SCI BOM No.  | 1810393 | Model Name TOGGLE SWITCH  |
| 柳新強      |  |  | Customer No. |         | Model No. R13-405AL-05  |
| 09/27/13 | 9/27-13   | 9/27-13   | Unit         | mm      | Rev. X1   |