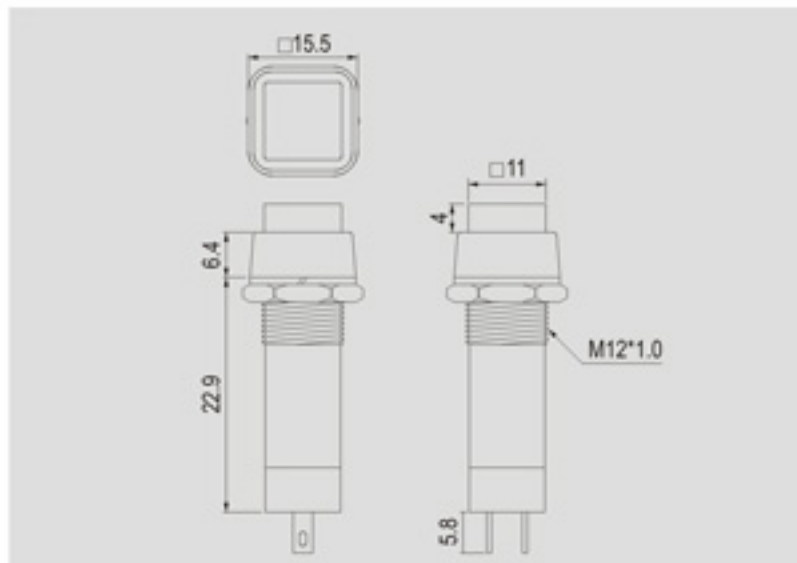
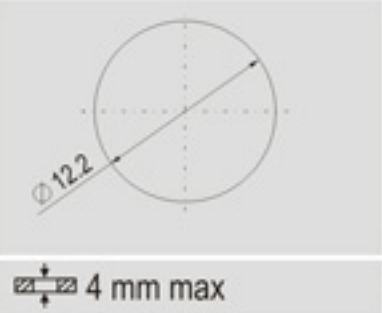


# R13-23

# Screw Type



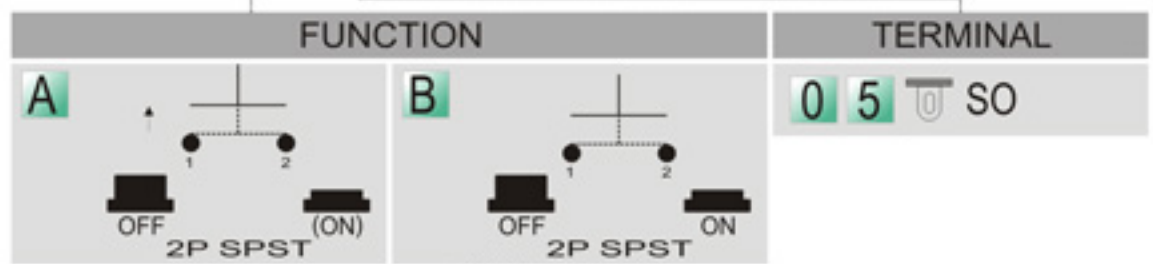
<b>Rating</b>
3A 125V AC 1.5A 250V AC
<b>Contact resistance</b>
50mΩ Max
<b>Insulation resistance</b>
DC 500V 100MΩ Min
<b>Dielectric strength</b>
AC 1000V 1 minute
<b>Cut-out</b>



## FEATURES

- \* MATERIAL: Actuators are ABS ( UL Frames: 94HB).
- \* Phenolic base.
- \* Mounted by nut.

## R13-23 -



\* ( ) = momentary