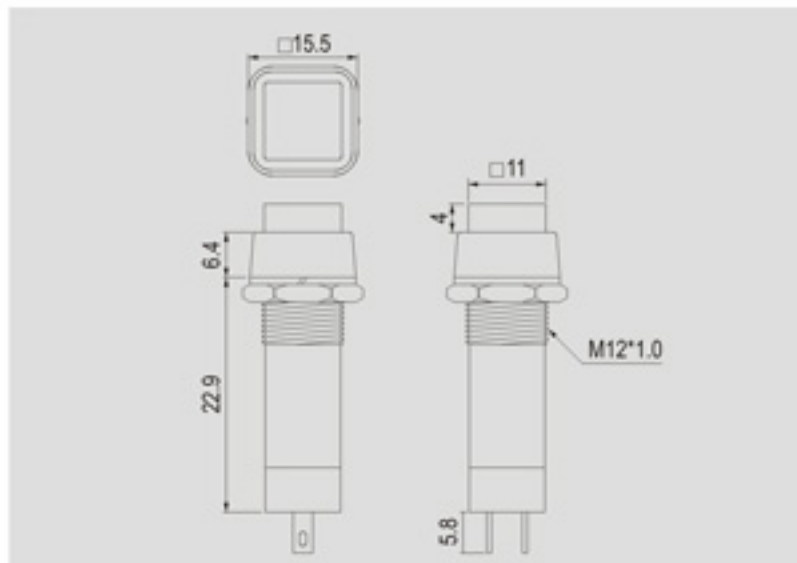
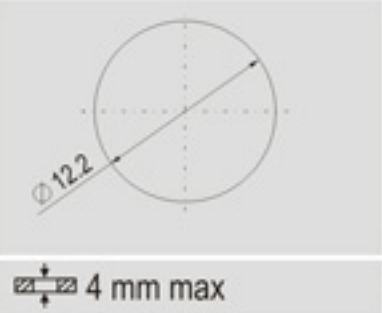


R13-23

Screw Type



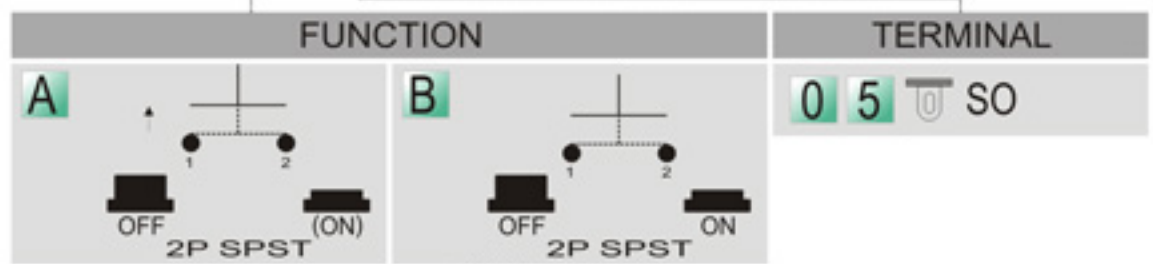
Rating
3A 125V AC 1.5A 250V AC
Contact resistance
50mΩ Max
Insulation resistance
DC 500V 100MΩ Min
Dielectric strength
AC 1000V 1 minute
Cut-out



FEATURES

- * MATERIAL: Actuators are ABS (UL Frames: 94HB).
- * Phenolic base.
- * Mounted by nut.

R13-23 -



* () = momentary