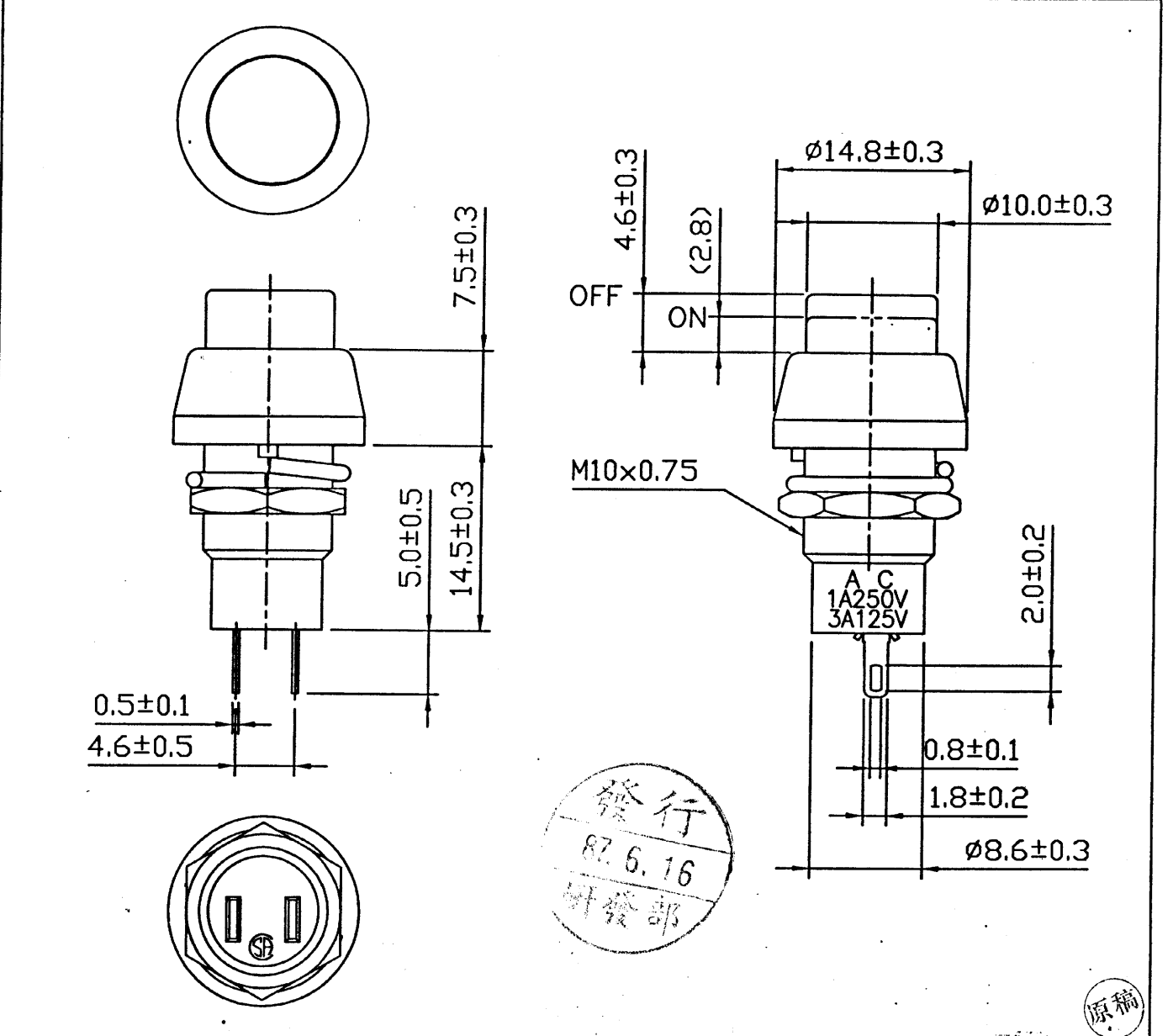


Rating	3A 125V, 1A 250V AC		
Contact R	50m ohm Max.		
Insulation R	DC 500V 100M ohm Min.		
Dielectric Strength	AC 1500V 1 minute		
Circuit	2P SPST OFF-ON		



Customer No.		No.	Date	Name	Descriptions
SCI No.					
Model No.	R13-84B				
Drawing	Check	Approval			
王佰山					
Jun-15-98					