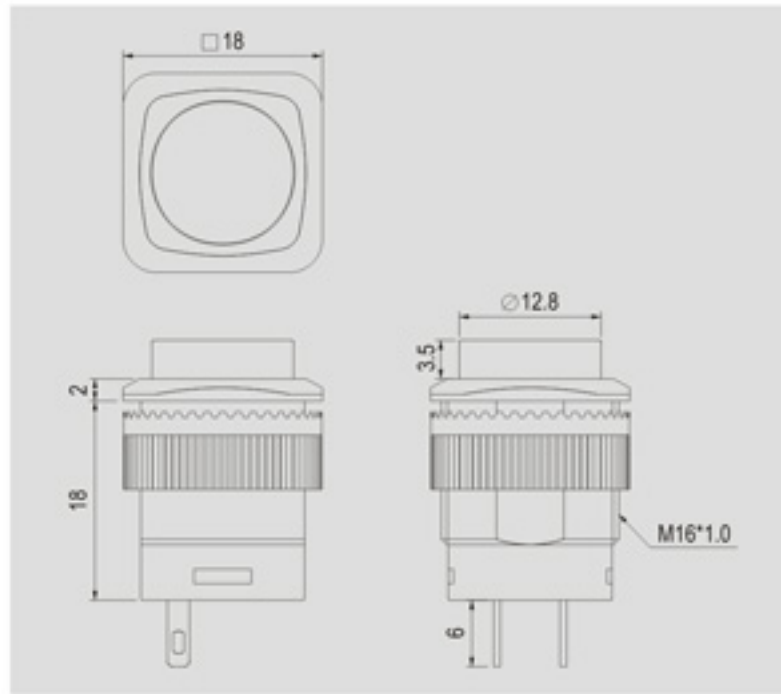
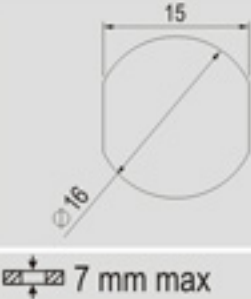


# R13-508

## Screw Type

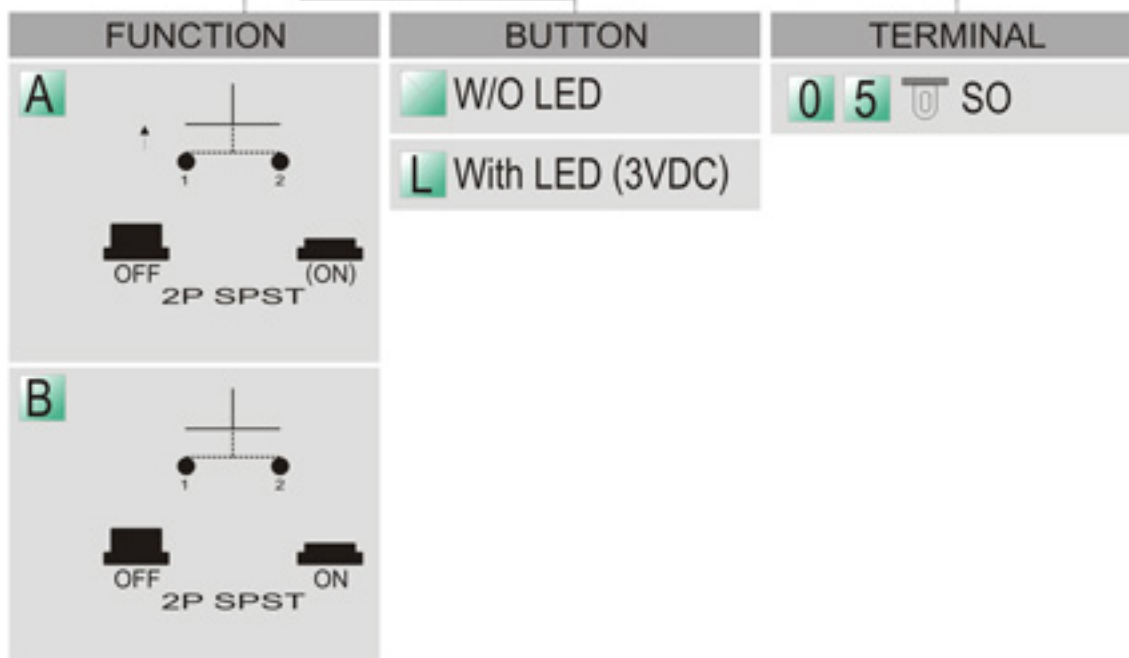


<b>Rating</b>	3A 125V AC 1.5A 250V AC
<b>Contact resistance</b>	50mΩ Max
<b>Insulation resistance</b>	DC 500V 100MΩ Min
<b>Dielectric strength</b>	AC 1500V 1 minute
<b>Cut-out</b>	

### FEATURES

- \* MATERIAL: Frames are nylon with glass fiber (UL flame: 94V-2). Terminals are silver plated brass.
- \* Illuminated actuator are molded in PC, available with red, amber and green colors.
- \* Mounted by nut.

## R13-508 -



\* ( ) =momentary