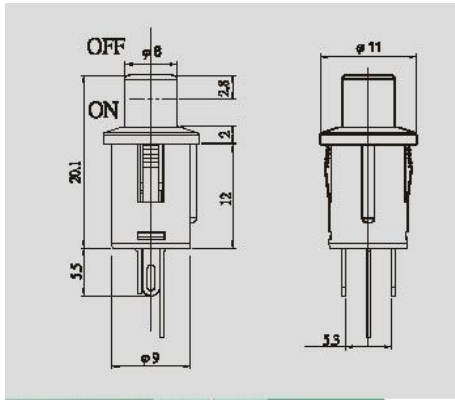


# R13-529



## Rating

1A 125V AC  
0.5A 250V AC

Contact resistance

50mΩ Max

Insulation resistance

DC 500V 100MΩ Min

Dielectric strength

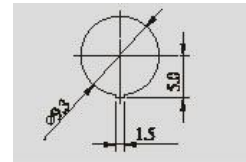
AC 1000V 1 minute

Cut-out

How to Order?

## FEATURES

- MATERIAL: Frames are nylon with glass fiber (UL flame:94HB). Terminals are silver plated brass.
- Illuminated actuators are molded in PC, available with red, amber, and green colors.
- Snap-in mounting, easy to install switch into panel.



0.5~2.0mm max



R13-529



FUNCTION

BUTTON

TERMINAL



W/O LED

0 5 10 SO

With LED (3VDC)

