

## Implication of Type

| Code of Series | GQ means metal crust type | Contact structure:<br>11 1NO1NC<br>22 2NO2NC<br>33 3NO3NC | Code name of derivative products;<br>Z alternate type<br>Y key switch<br>The momentary type is without letter | Type:<br>D dot<br>R ring<br>No letter means without lamp. | The specific rating of the lamp with illuminated button is included in the lamp ratings form | Lamp color:<br>R red<br>G green<br>Y yellow<br>O orange<br>B blue<br>W white |
|----------------|---------------------------|---|---|---|--|--|
|----------------|---------------------------|---|---|---|--|--|

Note: ☉ Contact Structure: LAS1 - AGQ have 1NO1NC and 2NO2NC, LAS1 - BGQ have 1NO1NC, 2NO2NC and 3NO3NC.

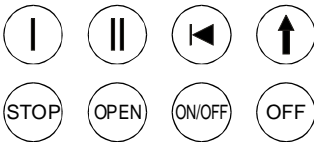
## Lamp Ratings

| Lamp Type     | LED                |          |           |
|---------------|--------------------|----------|-----------|
| Rated Voltage | AC/DC6V            | AC/DC12V | AC/DC24V  |
|               | AC/DC110V          |          | AC/DC220V |
| Colours       | R                  | G        | Y O B W   |
| Life          | About 40,000 hours |          |           |

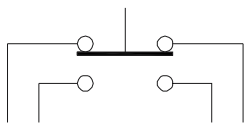
Note: There are protective resistor in the lamp, special voltage rate can be made to order.

## Engraving Options

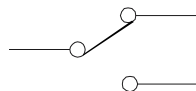
- ☉ Special type can be made to order.
- ☉ Examples



## Switching Operation



NO.2



NO.3

## Purchasing Notice

- ☉ Please write ONPOW code after check the Implication of Type and the detailed specification in the catalog..
- ☉ Please place an order over 1,000pcs if the products need to be made to order.
- ☉ All IP Degree listed in our forms can seal front of panel only.

## Soldering information

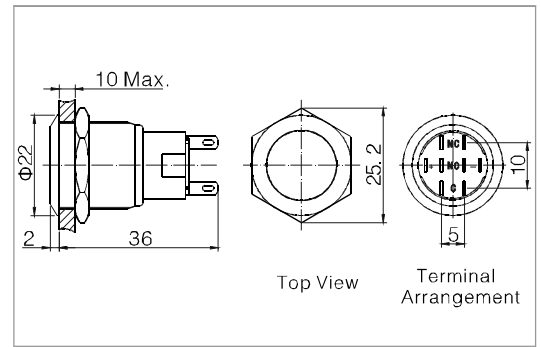
- ☉ Handiwork soldering: Soldering iron 30W or under at 230°C for 3 sec max.

# METAL PUSHBUTTONS

## PUSHBUTTONS



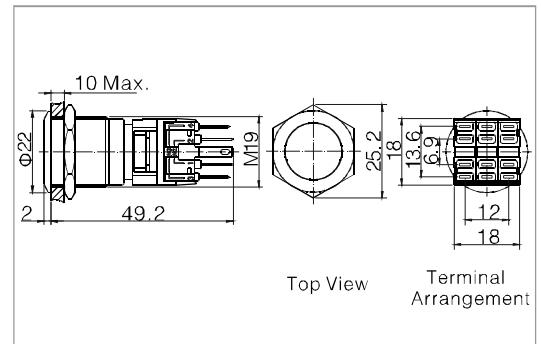
- ⊙  $\Phi$ 19mm diameter
- ⊙ 5A, 250VAC
- ⊙ 1NO1NC/2NO2NC
- ⊙ The Front Shape: Flat Round
- ⊙ The crust material: Stainless Steel
- ⊙ IP Degree: IP67



## PUSHBUTTONS



- ⊙  $\Phi$ 19mm diameter
- ⊙ Combined Structure
- ⊙ 3A, 250VAC
- ⊙ 1NO1NC/2NO2NC/3NO3NC
- ⊙ The Front Shape: Flat Round
- ⊙ The crust material: Stainless Steel
- ⊙ IP Degree: IP67



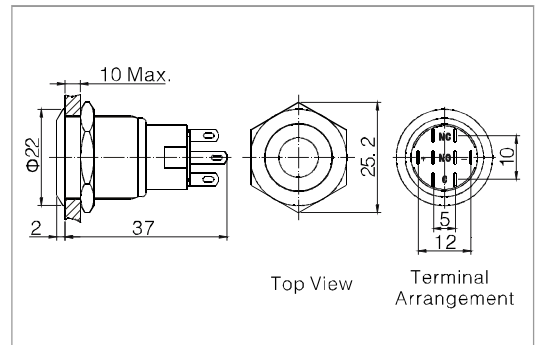
| Specification         | LAS1-AGQ                           | LAS1-BGQ                           |
|-----------------------|------------------------------------|------------------------------------|
| The Front Shape       | Flat Round                         | Flat Round                         |
| Terminations          | Soldering(Pin Terminal)/2.8mm tabs | Soldering(Pin Terminal)/2.8mm tabs |
| Switching             | NO.3                               | NO.2                               |
| Max. Switch Rating    | 5A/250VAC                          | 5A/250VAC                          |
| Contact Resistance    | $\leq 50m\Omega$                   | $\leq 50m\Omega$                   |
| Insulation Resistance | $\geq 1000M\Omega$                 | $\geq 1000M\Omega$                 |
| Dielectric Strength   | 2000VAC                            | 2000VAC                            |
| Operating Temp.       | - 20°C ~ + 70°C                    | - 20°C ~ + 70°C                    |
| Mechanical life       | 1,000,000 cycles                   | 1,000,000 cycles                   |
| Electrical life       | 50,000 cycles                      | 50,000 cycles                      |
| Contact material      | Silver Alloy                       | Silver Alloy                       |
| Panel Thickness       | 1 ~ 10mm                           | 1 ~ 10mm                           |
| Torque                | 5 ~ 14Nm                           | 5 ~ 14Nm                           |
| Operation Pressure    | 5.5N                               | 5.5N                               |
| IP Degree             | IP67                               | IP67                               |
| Material              | Button                             | Stainless Steel                    |
|                       | Body                               | Stainless Steel                    |
|                       | Base                               | PBT                                |
| RoHS                  | Made to order                      | Made to order                      |

# METAL PUSHBUTTONS

## DOT ILLUMINATED PUSHBUTTON



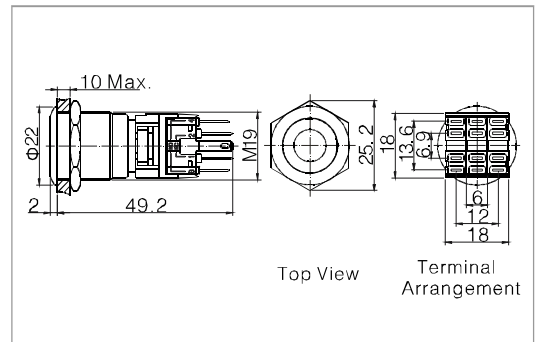
- ⊙  $\Phi$ 19mm diameter
- ⊙ 5A, 250VAC
- ⊙ 1NO1NC/2NO2NC
- ⊙ The Front Shape: Flat Round
- ⊙ The crust material: Stainless Steel
- ⊙ Dot Illuminated
- ⊙ IP Degree: IP67



## DOT ILLUMINATED PUSHBUTTON



- ⊙  $\Phi$ 19mm diameter
- ⊙ Combined Structure
- ⊙ 5A, 250VAC
- ⊙ 1NO1NC/2NO2NC/3NO3NC
- ⊙ The Front Shape: Flat Round
- ⊙ The crust material: Stainless Steel
- ⊙ Dot Illuminated
- ⊙ IP Degree: IP67



| Specification         |               | LAS1-AGQ-□□□D                      | LAS1-BGQ-□□□D                      |
|-----------------------|---------------|------------------------------------|------------------------------------|
| The Front Shape       |               | Flat Round                         | Flat Round                         |
| Terminations          |               | Soldering(Pin Terminal)/2.8mm tabs | Soldering(Pin Terminal)/2.8mm tabs |
| Switching             |               | NO.3                               | NO.2                               |
| Max. Switch Rating    |               | 5A/250VAC                          | 5A/250VAC                          |
| Contact Resistance    |               | $\leq 50m\Omega$                   | $\leq 50m\Omega$                   |
| Insulation Resistance |               | $\geq 1000M\Omega$                 | $\geq 1000M\Omega$                 |
| Dielectric Strength   |               | 2000VAC                            | 2000VAC                            |
| Operating Temp.       |               | - 20°C ~ + 70°C                    | - 20°C ~ + 70°C                    |
| Mechanical life       |               | 1,000,000 cycles                   | 1,000,000 cycles                   |
| Electrical life       |               | 50,000 cycles                      | 50,000 cycles                      |
| Contact material      |               | Silver Alloy                       | Silver Alloy                       |
| Panel Thickness       |               | 1 ~ 10mm                           | 1 ~ 10mm                           |
| Torque                |               | 5 ~ 14Nm                           | 5 ~ 14Nm                           |
| Operation Pressure    |               | 5.5N                               | 5.5N                               |
| IP Degree             |               | IP67                               | IP67                               |
| Material              | Button        | Stainless Steel                    | Stainless Steel                    |
|                       | Body          | Stainless Steel                    | Stainless Steel                    |
|                       | Base          | PBT                                | PA                                 |
| RoHS                  |               | Made to order                      | Made to order                      |
| LED Spec.             | Type          | Dot Illuminated(LED)               | Dot Illuminated(LED)               |
|                       | Rated Voltage | 6V / 12V / 24V / 110V / 220V       | 6V / 12V / 24V / 110V / 220V       |
|                       | Color         | R G Y O B W                        | R G Y O B W                        |
|                       | Life          | 40,000 hours                       | 40,000 hours                       |

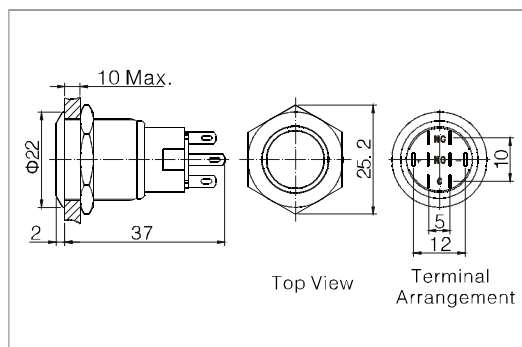
# METAL PUSHBUTTONS

## RING ILLUMINATED PUSHBUTTON



LAS1-AGQ-□□ □R

- ⊙  $\Phi$  19mm diameter
- ⊙ 5A, 250VAC
- ⊙ 1NO1NC/2NO2NC
- ⊙ The Front Shape: Flat Round
- ⊙ The crust material: Stainless Steel
- ⊙ Ring Illuminated
- ⊙ IP Degree: IP67

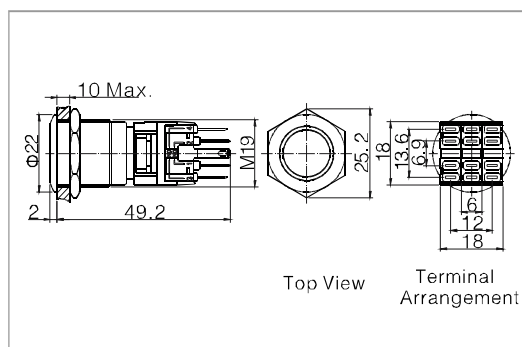


## RING ILLUMINATED PUSHBUTTON



LAS1-BGQ-□□ □R

- ⊙  $\Phi$  19mm diameter
- ⊙ Combined Structure
- ⊙ 5A, 250VAC
- ⊙ 1NO1NC/2NO2NC/3NO3NC
- ⊙ The Front Shape: Flat Round
- ⊙ The crust material: Stainless Steel
- ⊙ Ring Illuminated
- ⊙ IP Degree: IP67



| Specification         | LAS1-AGQ-□□ □R                     | LAS1-BGQ-□□ □R                     |
|-----------------------|------------------------------------|------------------------------------|
| The Front Shape       | Flat Round                         | Flat Round                         |
| Terminations          | Soldering(Pin Terminal)/2.8mm tabs | Soldering(Pin Terminal)/2.8mm tabs |
| Switching             | NO.3                               | NO.2                               |
| Max. Switch Rating    | 5A/250VAC                          | 5A/250VAC                          |
| Contact Resistance    | $\leq 50m\Omega$                   | $\leq 50m\Omega$                   |
| Insulation Resistance | $\geq 1000M\Omega$                 | $\geq 1000M\Omega$                 |
| Dielectric Strength   | 2000VAC                            | 2000VAC                            |
| Operating Temp.       | - 20°C ~ + 70°C                    | - 20°C ~ + 70°C                    |
| Mechanical life       | 1,000,000 cycles                   | 1,000,000 cycles                   |
| Electrical life       | 50,000 cycles                      | 50,000 cycles                      |
| Contact material      | Silver Alloy                       | Silver Alloy                       |
| Panel Thickness       | 1 ~ 10mm                           | 1 ~ 10mm                           |
| Torque                | 5 ~ 14Nm                           | 5 ~ 14Nm                           |
| Operation Pressure    | 5.5N                               | 5.5N                               |
| IP Degree             | IP67                               | IP67                               |
| Material              | Button                             | Stainless Steel                    |
|                       | Body                               | Stainless Steel                    |
|                       | Base                               | PBT                                |
|                       | RoHS                               | Made to order                      |
| LED Spec.             | Type                               | Ring Illuminated(LED)              |
|                       | Rated Voltage                      | 6V / 12V / 24V / 110V / 220V       |
|                       | Color                              | R G Y O B W                        |
|                       | Life                               | 40,000 hours                       |