

TOLERANCE GENERALE: ± 0.3
 GENERAL TOLERANCE: ± .01



SPECIFICATIONS

• CONSTRUCTION

Sealed pushbutton switch for panel mounting.
 Solder lugs terminals.

• MATERIALS

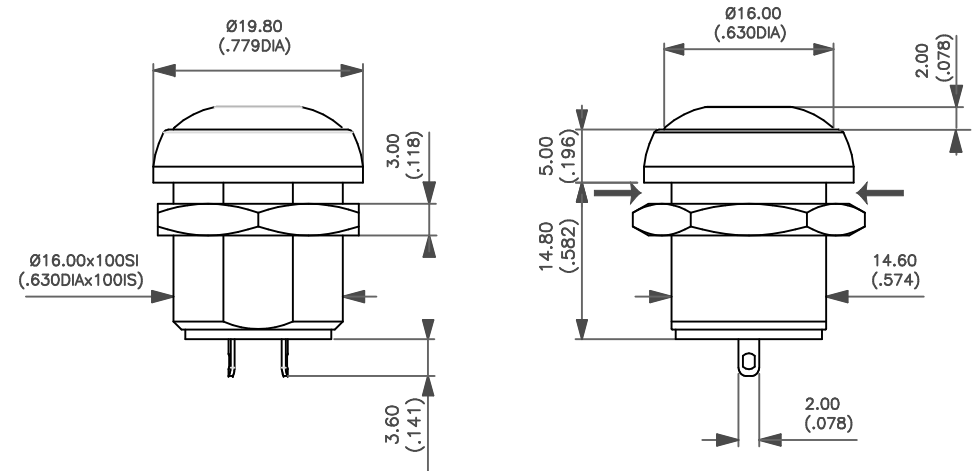
Case : Pa6T UL94V0
 Plunger : Polyamide 6/6
 Bushing/Collar : Polyamide 6/6
 Contacts : Silver, gold plated

• ELECTRICAL CHARACTERISTICS

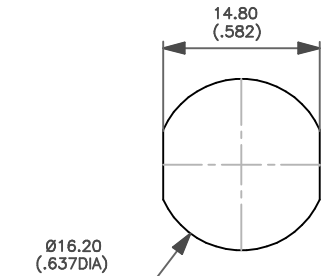
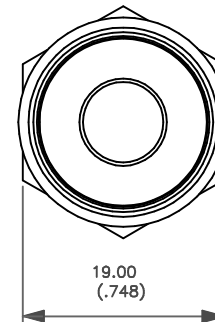
Electrical function : Normally open (NO)
 Maximum ratings : 200mA 48VDC
 Electrical life : 500 000 cycles minimum
 Contact resistance : 100 milliohms Max
 Insulation resistance: 1 Gigaohms min - 500 VDC
 Dielectric strength : 1500 VAC rms 50Hz between terminals
 Mechanical life : 1.000.000 cycles

• MECHANICAL AND ENVIRONMENTAL CHARACTERISTICS

Degree of protection : IP67 according to IEC 529
 Temperature range : -40°C to +85°C



Epaisseur de panneau : 9.00 (.354) Max.
 Panel thickness: 9.00 (.354) Max.



↓ Méplat
 Flat

Replace the first blank digit with the following color code

| Code | 1 | 2 | 3 | 4 | 5 | 6 | 7/1 | 8 | 9 |
|----------------|------|-------|-------|------|--------|-----|-------|---------------|--------|
| Plunger Colour | Blue | Black | Green | Grey | Yellow | Red | White | Bright Chrome | Orange |

| | | | | |
|------------|---|--------------------|------|-----------|
| MATERIAL: | APEM Unité INTERRUPTEURS 55, av. E.HERRIOT BP 1 82303 CAUSSADE CEDEX Tél. 05.63.93.14.98 - Télécopie 05.63.93.19.03 | DRAWN: J. Gauzin | | |
| TREATMENT: | | DATE : 15/02/2010 | | |
| FINISH: | | CHECKED: D.Sire | | |
| Scale: 2 | | Reference: DIR034S | | |
| Issue | Modifications | Date | Name | Code Nbr. |

ROUND PUSHBUTTON SWITCH
 IRR3S4-2