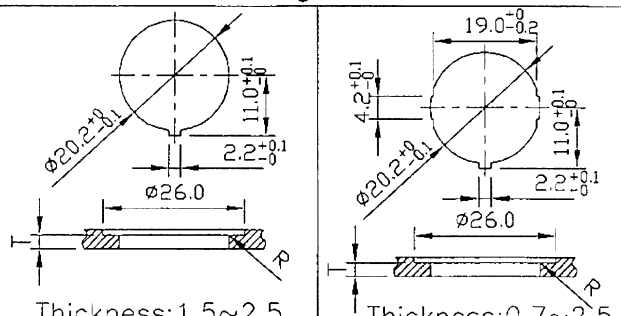
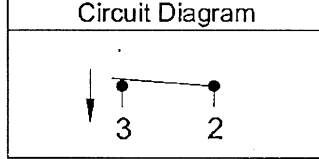
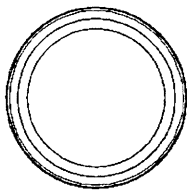
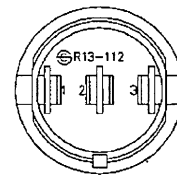
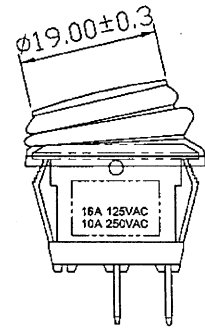
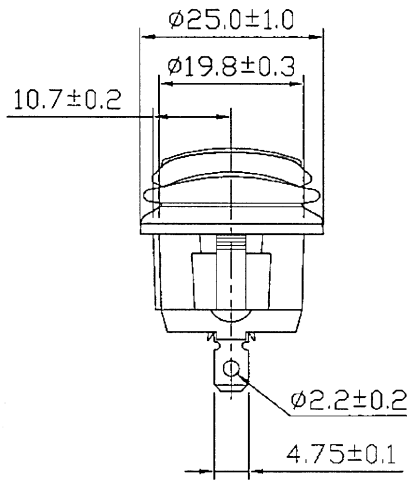
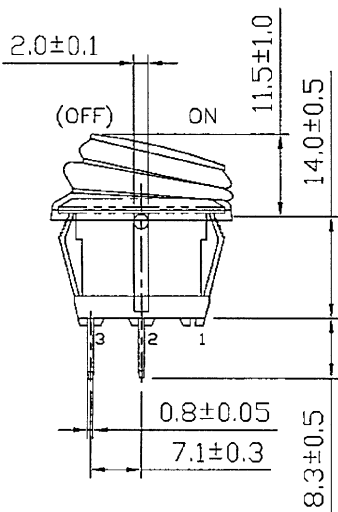


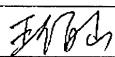
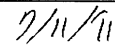
Rating	16A 125VAC, 10A 250VAC	 <p>Mounting Hole</p> <p>Thickness: 1.5~2.5</p>	
Contact Resistance	50m ohm Max.		
Insulation Resistance	DC 500V 100M ohm Min.	 <p>Circuit Diagram</p>	
Dielectric Strength	AC 1500V 1 minute		
Operation Temperature	-25°C~85°C		
Switch Function	2P SPST ON-(OFF)		



\*MATERIAL:  
 Frame: Black, Nylon 66 (94-V2)  
 Actuator: Black, PC (94-V2)  
 Waterproof rubber: Black, Silicone  
 Terminals: Silver plated, Copper alloy  
 Hot Stamping: None  
 Waterproof: IP65



C3IWORK14IR13-112E8-02

						△	
						△	
Date	Name	Descriptions				NO	
Drawn	Checked	Approved	SCI BOM No.	1825180	Model Name	ROCKER SWITCH	
B.S.Wang			Customer No.		Model No.	R13-112E8-02	REV.
7/6/11			Unit	mm	SHIN CHIN INDUSTRIAL CO., LTD.		0