

TOLERANCE GENERALE: ± 0.3  
 GENERAL TOLERANCE: ± .01



## SPECIFICATIONS

### • CONSTRUCTION

Sealed pushbutton switch for panel mounting.  
 Solder lugs terminals.

### • MATERIALS

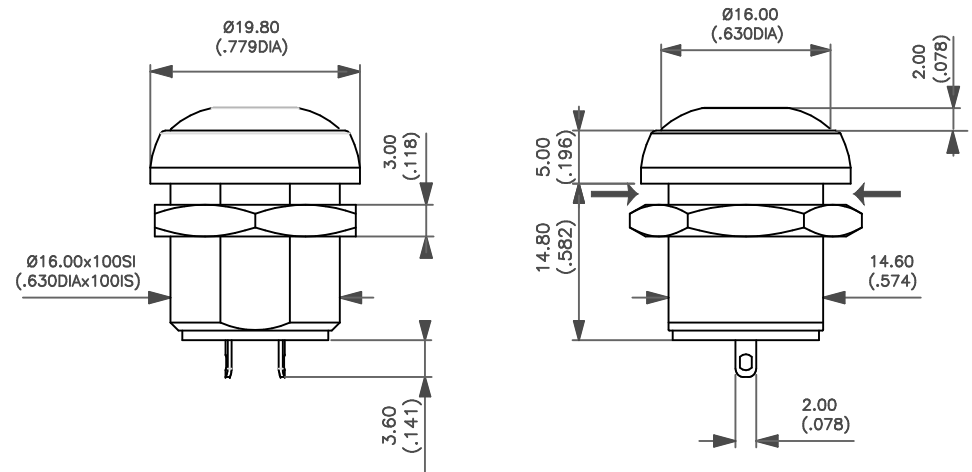
Case : Pa6T UL94V0  
 Plunger : Polyamide 6/6  
 Bushing/Collar : Polyamide 6/6  
 Contacts : Silver, gold plated

### • ELECTRICAL CHARACTERISTICS

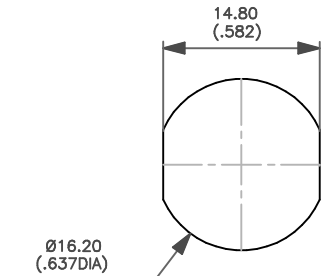
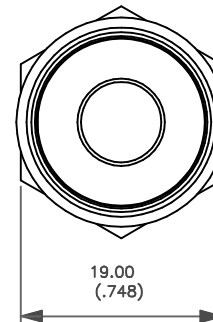
Electrical function : Normally open (NO)  
 Maximum ratings : 200mA 48VDC  
 Electrical life : 500 000 cycles minimum  
 Contact resistance : 100 milliohms Max  
 Insulation resistance: 1 Gigaohms min - 500 VDC  
 Dielectric strength : 1500 VAC rms 50Hz between terminals  
 Mechanical life : 1.000.000 cycles

### • MECHANICAL AND ENVIRONMENTAL CHARACTERISTICS

Degree of protection : IP67 according to IEC 529  
 Temperature range : -40°C to +85°C



Epaisseur de panneau : 9.00 (.354) Max.  
 Panel thickness: 9.00 (.354) Max.



↓ Méplat  
 Flat

Replace the first blank digit with the following color code

Code	1	2	3	4	5	6	7/1	8	9
Plunger Colour	Blue	Black	Green	Grey	Yellow	Red	White	Bright Chrome	Orange

MATERIAL: /	 <b>APEM</b> Unité INTERRUPTEURS 55, av. E.HERRIOT BP 1 82303 CAUSSADE CEDEX Tél. 05.63.93.14.98 - Télécopie 05.63.93.19.03	DRAWN: J. Gauzin
TREATMENT: /		DATE : 15/02/2010
FINISH: /		CHECKED: D.Sire
Scale: 2		Reference: DIR034S
Code Nbr. /		
<b>ROUND PUSHBUTTON SWITCH</b> <b>IRR3S4-2</b>		
Issue	Modifications	Date Name