

TOLERANCE GENERALE:± 0.3
GENERAL TOLERANCE:± .01



SPECIFICATIONS

• CONSTRUCTION

Sealed pushbutton switch for panel mounting.
Solder lugs terminals.

• MATERIALS

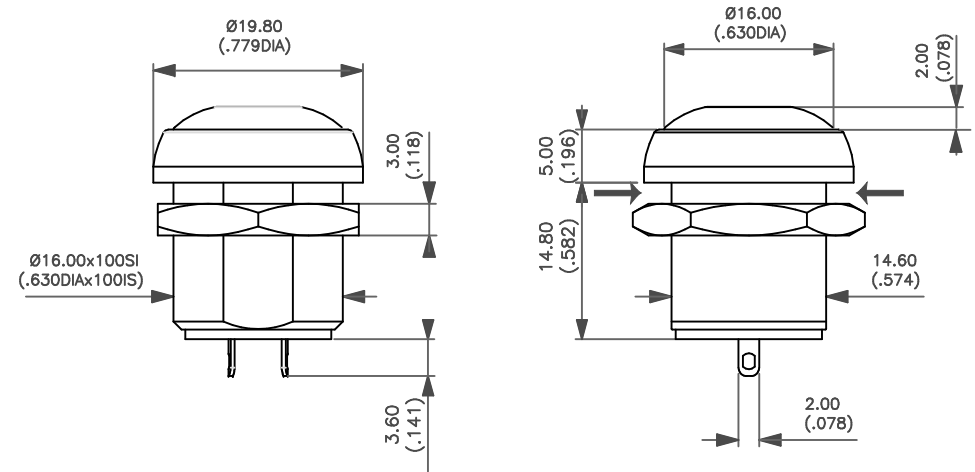
Case : Pa6T UL94V0
Plunger : Polyamide 6/6
Bushing/Collar : Polyamide 6/6
Contacts : Silver, gold plated

• ELECTRICAL CHARACTERISTICS

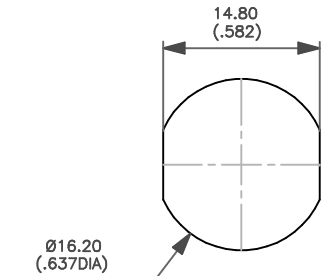
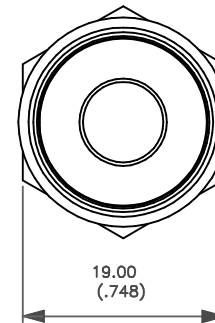
Electrical function : Normally open (NO)
Maximum ratings : 200mA 48VDC
Electrical life : 500 000 cycles minimum
Contact resistance : 100 milliohms Max
Insulation resistance: 1 Gigaohms min - 500 VDC
Dielectric strength : 1500 VAC rms 50Hz between terminals
Mechanical life : 1.000.000 cycles

• MECHANICAL AND ENVIRONMENTAL CHARACTERISTICS

Degree of protection : IP67 according to IEC 529
Temperature range : -40°C to +85°C



Epaisseur de panneau : 9.00 (.354) Max.
Panel thickness: 9.00 (.354) Max.



↓ Méplat
Flat

Replace the first blank digit with the following color code

| Code | 1 | 2 | 3 | 4 | 5 | 6 | 7/1 | 8 | 9 |
|----------------|------|-------|-------|------|--------|-----|-------|---------------|--------|
| Plunger Colour | Blue | Black | Green | Grey | Yellow | Red | White | Bright Chrome | Orange |

| | | |
|---|---|--------------------|
| MATERIAL: / | APEM Unité INTERRUPTEURS 55,av. E.HERRIOT BP 1 82303 CAUSSADE CEDEX Tél.05.63.93.14.98 - Télécopie.05.63.93.19.03 | DRAWN: J. Gauzin |
| TREATMENT: / | | DATE : 15/02/2010 |
| FINISH: / | | CHECKED: D.Sire |
| Scale: 2 | | Reference: DIR034S |
| Code Nbr. / | | |
| ROUND PUSHBUTTON SWITCH IRR3S4-2 | | |
| Issue | Modifications | Date Name |