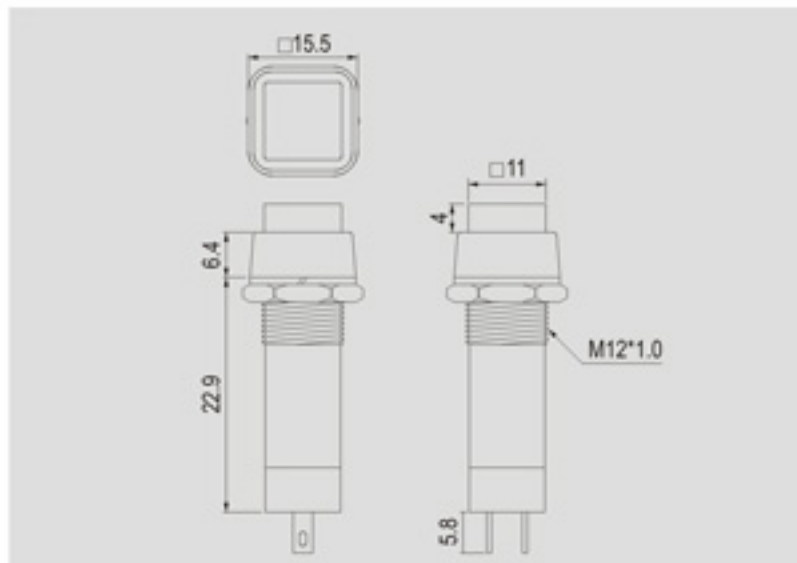


R13-23

Screw Type



Rating

3A 125V AC
1.5A 250V AC

Contact resistance

50mΩ Max

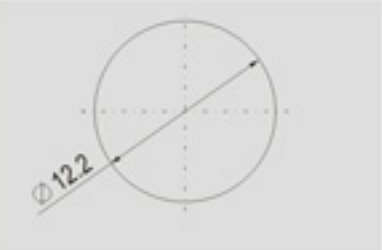
Insulation resistance

DC 500V 100MΩ Min

Dielectric strength

AC 1000V 1 minute

Cut-out

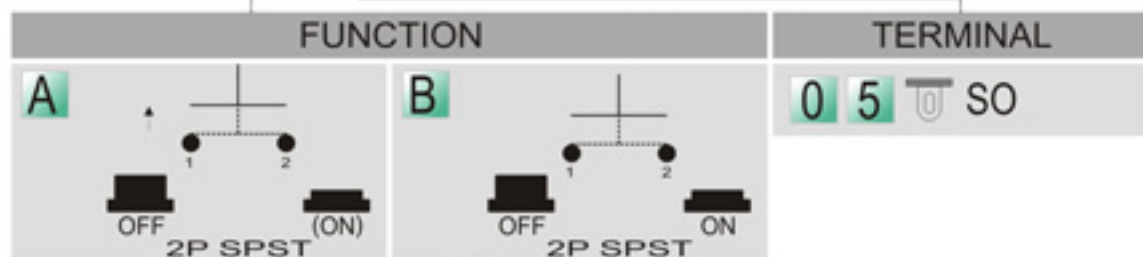


4 mm max

FEATURES

- * MATERIAL: Actuators are ABS (UL Frames: 94HB).
- * Phenolic base.
- * Mounted by nut.

R13-23 -



* () = momentary