

TECHNICAL DESCRIPTION

Implication of Type

LAS2	GQ □	— □□	□	□	/ □	/ □	/ □
Code of Series	GQ means metal crust type. The Front Shape: F flat Round H high Round C concave round G high concave round	Contact structure: 11 1NO1NC 22 2NO2NC	Code name of derivative products: Z alternate type The momentary type is without letter	Lamp type: D dot R ring No letter means without lamp.	The specific rating of the lamp with Illuminated button is included in the lamp ratings form	The crust material: N nickel-plated brass G gold-plated brass S Stainless Steel	Lamp color: R round G green Y yellow O orange B blue W white

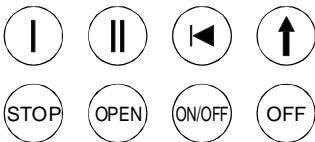
Lamp Ratings

Lamp Type	LED			
Rated Voltage	AC/DC6V	AC/DC12V	AC/DC24V	
	AC/DC110V		AC/DC220V	
Colours	R	G	Y	O B W
Life	About 40,000 hours			

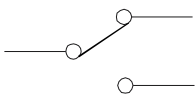
Note: There are protective resistor in the lamp, special voltage rate can be made to order.

Engraving Options

- Special type can be made to order.
- Examples



Switching Operation



NO.3

Purchasing Notice

- Please write ONPOW code after check the Implication of Type and the detailed specification in the catalog..
- Please place an order over 1,000pcs if the products need to be made to order.
- All IP Degree listed in our forms can seal front of panel only.

Soldering information

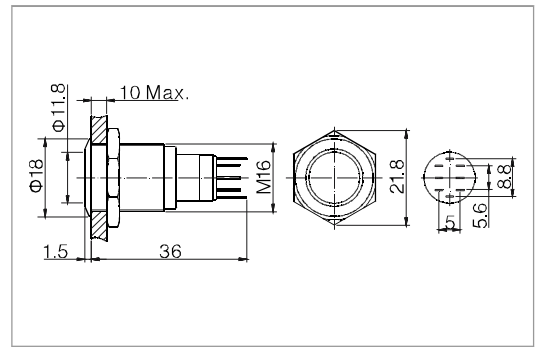
- Handiwork soldering: Soldering iron 30W or under at 230°C for 3 sec max.

PUSHBUTTONS



LAS2GQF

- ⊙ Φ 16mm diameter
- ⊙ 3A, 250VAC
- ⊙ 1NO1NC/2NO2NC
- ⊙ The Front Shape: Flat Round
- ⊙ IP Degree: IP40/IP67
- ⊙ The crust material: Stainless Steel/
Brass(Nikel Plated, Gold Plated)

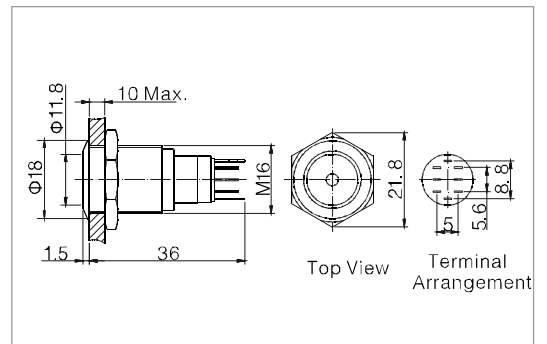


DOT ILLUMINATED PUSHBUTTON



LAS2GQF-□□□D

- ⊙ Φ 16mm diameter
- ⊙ 3A, 250VAC
- ⊙ 1NO1NC/2NO2NC
- ⊙ The Front Shape: Flat Round
- ⊙ Dot Illuminated
- ⊙ IP Degree: IP40/IP67
- ⊙ The crust material: Stainless Steel/
Brass(Nikel Plated, Gold Plated)

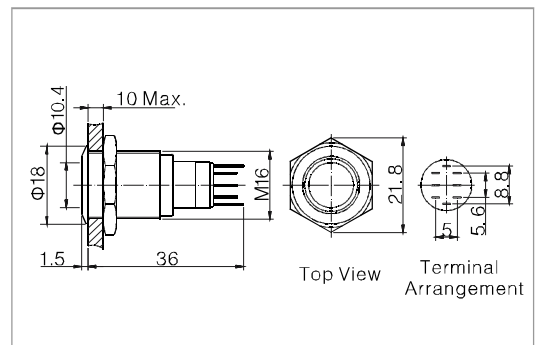


RING ILLUMINATED PUSHBUTTON



LAS2GQF-□□□R

- ⊙ Φ 16mm diameter
- ⊙ 3A, 250VAC
- ⊙ 1NO1NC/2NO2NC
- ⊙ The Front Shape: Flat Round
- ⊙ Ring Illuminated
- ⊙ IP Degree: IP40/IP67
- ⊙ The crust material: Stainless Steel/
Brass(Nikel Plated, Gold Plated)

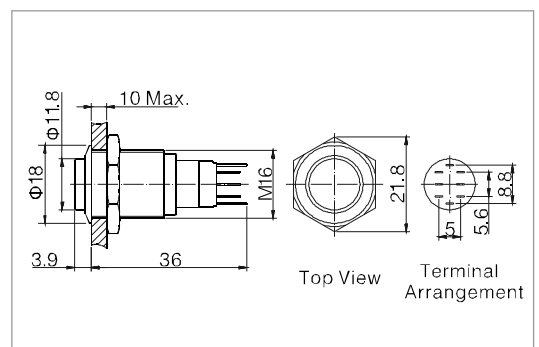


PUSHBUTTONS



LAS2GQH

- ⊙ Φ 16mm diameter
- ⊙ 3A, 250VAC
- ⊙ 1NO1NC/2NO2NC
- ⊙ The Front Shape: High Round
- ⊙ IP Degree: IP40/IP67
- ⊙ The crust material: Stainless Steel/
Brass(Nikel Plated, Gold Plated)

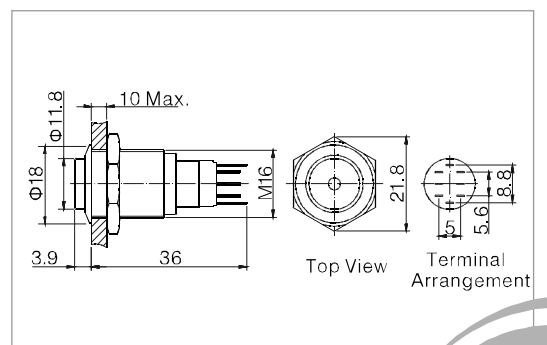


DOT ILLUMINATED PUSHBUTTON



LAS2GQH-□□□D

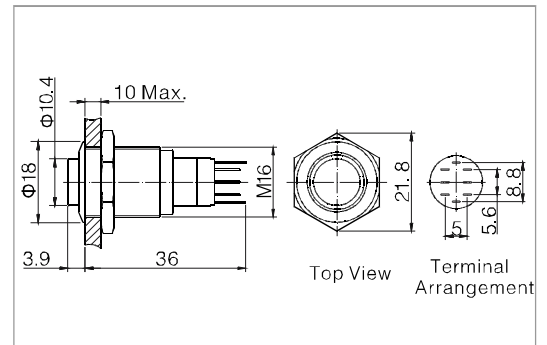
- ⊙ Φ 16mm diameter
- ⊙ 3A, 250VAC
- ⊙ 1NO1NC/2NO2NC
- ⊙ The Front Shape: High Round
- ⊙ Dot Illuminated
- ⊙ IP Degree: IP40/IP67
- ⊙ The crust material: Stainless Steel/
Brass(Nikel Plated, Gold Plated)



RING ILLUMINATED PUSHBUTTON



- ⊙ Φ 16mm diameter
- ⊙ 3A, 250VAC
- ⊙ 1NO1NC/2NO2NC
- ⊙ The Front Shape: High Round
- ⊙ Ring Illuminated
- ⊙ IP Degree: IP40/IP67
- ⊙ The crust material: Stainless Steel/
Brass(Nikel Plated, Gold Plated)



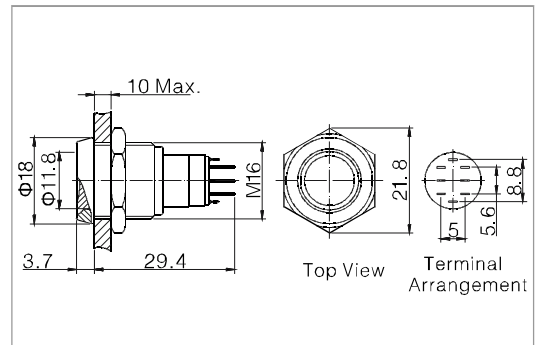
Specification	LAS2GQF LAS2GQH	LAS2GQF-□□ □D LAS2GQH-□□ □D	LAS2GQF-□□ □R LAS2GQH-□□ □R
The Front Shape	Flat Round High Round	Flat Round High Round	Flat Round High Round
Terminations	Soldering(Pin Terminal)	Soldering(Pin Terminal)	Soldering(Pin Terminal)
Switching	NO.3	NO.3	NO.3
Max. Switch Rating	3A/250VAC	3A/250VAC	3A/250VAC
Contact Resistance	$\leq 50m\Omega$	$\leq 50m\Omega$	$\leq 50m\Omega$
Insulation Resistance	$\geq 1000M\Omega$	$\geq 1000M\Omega$	$\geq 1000M\Omega$
Dielectric Strength	2000VAC	2000VAC	2000VAC
Operating Temp.	- 20°C ~ + 70°C	- 20°C ~ + 70°C	- 20°C ~ + 70°C
Mechanical life	1,000,000 cycles	1,000,000 cycles	1,000,000 cycles
Electrical life	50,000 cycles	50,000 cycles	50,000 cycles
Contact material	Silver Alloy	Silver Alloy	Silver Alloy
Panel Thickness	1 ~ 10mm	1 ~ 10mm	1 ~ 10mm
Torque	5 ~ 14Nm	5 ~ 14Nm	5 ~ 14Nm
Operation Pressure	5.5N	5.5N	5.5N
IP Degree	IP40/IP67	IP40/IP67	IP40/IP67
Material	Button	Stainless Steel/Brass(Nikel Plated, Gold Plated)	Stainless Steel/Brass(Nikel Plated, Gold Plated)
	Body	Stainless Steel/Brass(Nikel Plated, Gold Plated)	Stainless Steel/Brass(Nikel Plated, Gold Plated)
	Base	PBT	PBT
	RoHS	Made to order	Made to order
LED Spec.	Type	Without lamp	Dot Illuminated(LED)
	Rated Voltage	---	6V / 12V / 24V / 110V / 220V
	Color	---	R G Y O B W
	Life	---	40,000 hours

ANTI-VANDAL PUSHBUTTONS

PUSHBUTTONS



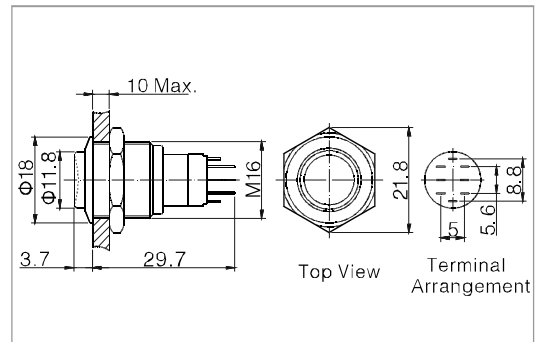
- ⊙ Φ 16mm diameter
- ⊙ 3A, 250VAC
- ⊙ 1NO1NC/2NO2NC
- ⊙ The Front Shape: concave round
- ⊙ IP Degree: IP67
- ⊙ The crust material: Stainless Steel/
Brass(Nikel Plated, Gold Plated)



PUSHBUTTONS



- ⊙ Φ 16mm diameter
- ⊙ 3A, 250VAC
- ⊙ 1NO1NC/2NO2NC
- ⊙ The Front Shape: high concave round
- ⊙ IP Degree: IP67
- ⊙ The crust material: Stainless Steel/
Brass(Nikel Plated, Gold Plated)



Specification	LAS2GQC	LAS2GQG
The Front Shape	Concave Round	High Concave Round
Terminations	Soldering(Pin Terminal)	Soldering(Pin Terminal)
Switching	NO.3	NO.3
Max. Switch Rating	3A/250VAC	3A/250VAC
Contact Resistance	$\leq 50m\Omega$	$\leq 50m\Omega$
Insulation Resistance	$\geq 1000M\Omega$	$\geq 1000M\Omega$
Dielectric Strength	2000VAC	2000VAC
Operating Temp.	- 20°C ~ + 70°C	- 20°C ~ + 70°C
Mechanical life	1,000,000 cycles	1,000,000 cycles
Electrical life	50,000 cycles	50,000 cycles
Contact material	Silver Alloy	Silver Alloy
Panel Thickness	1 ~ 10mm	1 ~ 10mm
Torque	5 ~ 14Nm	5 ~ 14Nm
Operation Pressure	5.5N	5.5N
IP Degree	IP67	IP67
Material	Button	Stainless Steel/Brass(Nikel Plated, Gold Plated)
	Body	Stainless Steel/Brass(Nikel Plated, Gold Plated)
	Base	PBT
RoHS	Made to order	Made to order