

TECHNICAL DESCRIPTION

Implication of Type

| LAS2 | GQ □ | — □□ | □ | □ | / □ | / □ | / □ |
|----------------|---|--|--|--|--|---|--|
| Code of Series | GQ means metal crust type. The Front Shape: F flat Round H high Round C concave round G high concave round | Contact structure: 11 1NO1NC 22 2NO2NC | Code name of derivative products: Z alternate type The momentary type is without letter | Lamp type: D dot R ring No letter means without lamp. | The specific rating of the lamp with Illuminated button is included in the lamp ratings form | The crust material: N nickel-plated brass G gold-plated brass S Stainless Steel | Lamp color: R round G green Y yellow O orange B blue W white |

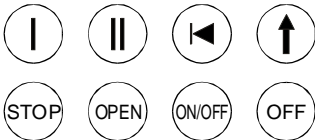
Lamp Ratings

| Lamp Type | LED | | | |
|---------------|--------------------|----------|-----------|----------------------------|
| Rated Voltage | AC/DC6V | AC/DC12V | AC/DC24V | |
| | AC/DC110V | | AC/DC220V | |
| Colours | R | G | Y | O B W |
| Life | About 40,000 hours | | | |

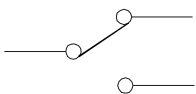
Note: There are protective resistor in the lamp, special voltage rate can be made to order.

Engraving Options

- Special type can be made to order.
- Examples



Switching Operation



NO.3

Purchasing Notice

- Please write ONPOW code after check the Implication of Type and the detailed specification in the catalog..
- Please place an order over 1,000pcs if the products need to be made to order.
- All IP Degree listed in our forms can seal front of panel only.

Soldering information

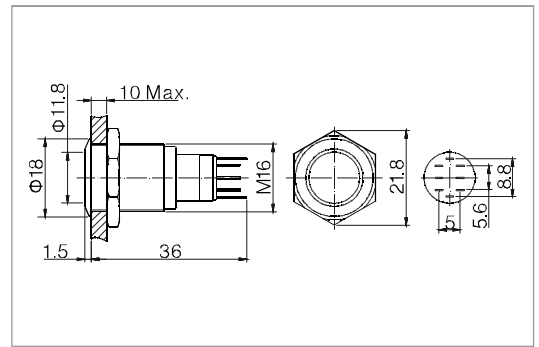
- Handiwork soldering: Soldering iron 30W or under at 230°C for 3 sec max.

PUSHBUTTONS



LAS2GQF

- ⊙ Φ 16mm diameter
- ⊙ 3A, 250VAC
- ⊙ 1NO1NC/2NO2NC
- ⊙ The Front Shape: Flat Round
- ⊙ IP Degree: IP40/IP67
- ⊙ The crust material: Stainless Steel/
Brass(Nikel Plated, Gold Plated)

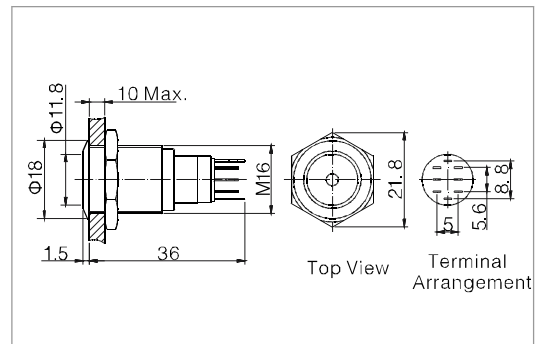


DOT ILLUMINATED PUSHBUTTON



LAS2GQF-□□□D

- ⊙ Φ 16mm diameter
- ⊙ 3A, 250VAC
- ⊙ 1NO1NC/2NO2NC
- ⊙ The Front Shape: Flat Round
- ⊙ Dot Illuminated
- ⊙ IP Degree: IP40/IP67
- ⊙ The crust material: Stainless Steel/
Brass(Nikel Plated, Gold Plated)

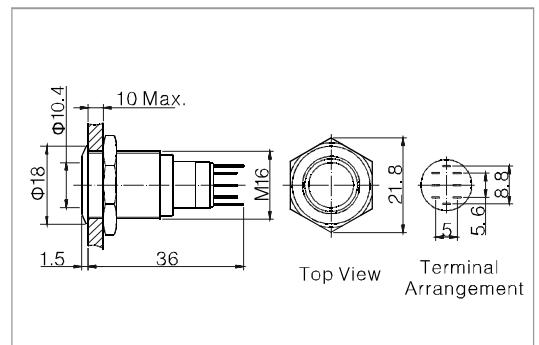


RING ILLUMINATED PUSHBUTTON



LAS2GQF-□□□R

- ⊙ Φ 16mm diameter
- ⊙ 3A, 250VAC
- ⊙ 1NO1NC/2NO2NC
- ⊙ The Front Shape: Flat Round
- ⊙ Ring Illuminated
- ⊙ IP Degree: IP40/IP67
- ⊙ The crust material: Stainless Steel/
Brass(Nikel Plated, Gold Plated)

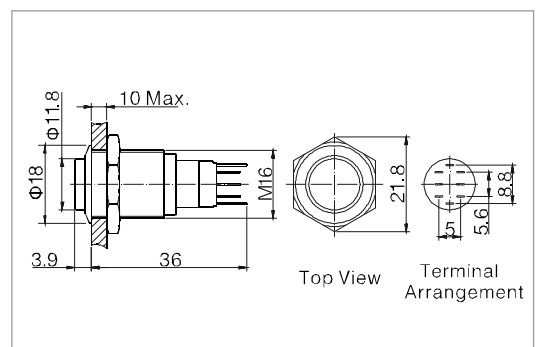


PUSHBUTTONS



LAS2GQH

- ⊙ Φ 16mm diameter
- ⊙ 3A, 250VAC
- ⊙ 1NO1NC/2NO2NC
- ⊙ The Front Shape: High Round
- ⊙ IP Degree: IP40/IP67
- ⊙ The crust material: Stainless Steel/
Brass(Nikel Plated, Gold Plated)

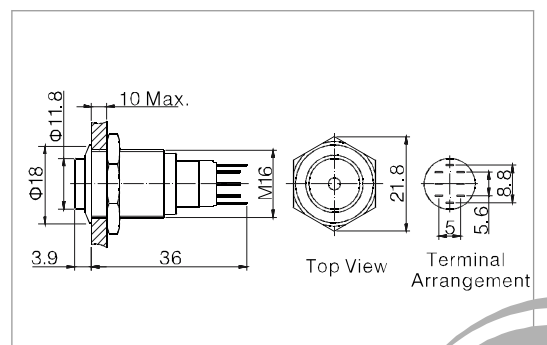


DOT ILLUMINATED PUSHBUTTON



LAS2GQH-□□□D

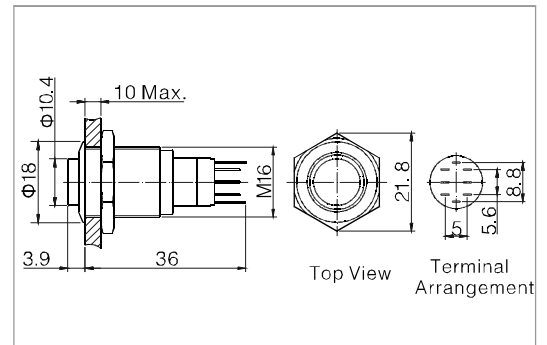
- ⊙ Φ 16mm diameter
- ⊙ 3A, 250VAC
- ⊙ 1NO1NC/2NO2NC
- ⊙ The Front Shape: High Round
- ⊙ Dot Illuminated
- ⊙ IP Degree: IP40/IP67
- ⊙ The crust material: Stainless Steel/
Brass(Nikel Plated, Gold Plated)



RING ILLUMINATED PUSHBUTTON



- ⊙ Φ 16mm diameter
- ⊙ 3A, 250VAC
- ⊙ 1NO1NC/2NO2NC
- ⊙ The Front Shape: High Round
- ⊙ Ring Illuminated
- ⊙ IP Degree: IP40/IP67
- ⊙ The crust material: Stainless Steel/
Brass(Nikel Plated, Gold Plated)



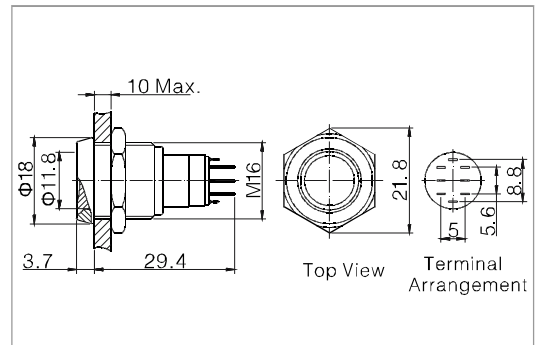
| Specification | LAS2GQF LAS2GQH | LAS2GQF-□□□D LAS2GQH-□□□D | LAS2GQF-□□□R LAS2GQH-□□□R |
|-----------------------|--------------------------|--|---|
| The Front Shape | Flat Round High Round | Flat Round High Round | Flat Round High Round |
| Terminations | Soldering(Pin Terminal) | Soldering(Pin Terminal) | Soldering(Pin Terminal) |
| Switching | NO.3 | NO.3 | NO.3 |
| Max. Switch Rating | 3A/250VAC | 3A/250VAC | 3A/250VAC |
| Contact Resistance | $\leq 50m\Omega$ | $\leq 50m\Omega$ | $\leq 50m\Omega$ |
| Insulation Resistance | $\geq 1000M\Omega$ | $\geq 1000M\Omega$ | $\geq 1000M\Omega$ |
| Dielectric Strength | 2000VAC | 2000VAC | 2000VAC |
| Operating Temp. | - 20°C ~ + 70°C | - 20°C ~ + 70°C | - 20°C ~ + 70°C |
| Mechanical life | 1,000,000 cycles | 1,000,000 cycles | 1,000,000 cycles |
| Electrical life | 50,000 cycles | 50,000 cycles | 50,000 cycles |
| Contact material | Silver Alloy | Silver Alloy | Silver Alloy |
| Panel Thickness | 1 ~ 10mm | 1 ~ 10mm | 1 ~ 10mm |
| Torque | 5 ~ 14Nm | 5 ~ 14Nm | 5 ~ 14Nm |
| Operation Pressure | 5.5N | 5.5N | 5.5N |
| IP Degree | IP40/IP67 | IP40/IP67 | IP40/IP67 |
| Material | Button | Stainless Steel/Brass(Nikel Plated, Gold Plated) | Stainless Steel/Brass(Nikel Plated, Gold Plated) |
| | Body | Stainless Steel/Brass(Nikel Plated, Gold Plated) | Stainless Steel/Brass(Nikel Plated, Gold Plated) |
| | Base | PBT | PBT |
| | RoHS | Made to order | Made to order |
| LED Spec. | Type | Without lamp | Dot Illuminated(LED) |
| | Rated Voltage | --- | 6V / 12V / 24V / 110V / 220V |
| | Color | --- | R G Y O B W |
| | Life | --- | 40,000 hours |

ANTI-VANDAL PUSHBUTTONS

PUSHBUTTONS



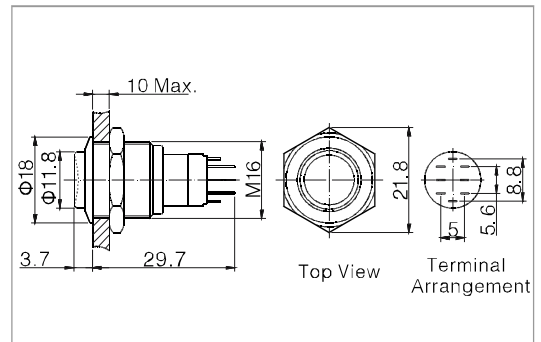
- ⊙ Φ 16mm diameter
- ⊙ 3A, 250VAC
- ⊙ 1NO1NC/2NO2NC
- ⊙ The Front Shape: concave round
- ⊙ IP Degree: IP67
- ⊙ The crust material: Stainless Steel/
Brass(Nikel Plated, Gold Plated)



PUSHBUTTONS



- ⊙ Φ 16mm diameter
- ⊙ 3A, 250VAC
- ⊙ 1NO1NC/2NO2NC
- ⊙ The Front Shape: high concave round
- ⊙ IP Degree: IP67
- ⊙ The crust material: Stainless Steel/
Brass(Nikel Plated, Gold Plated)



| Specification | LAS2GQC | LAS2GQG |
|-----------------------|-------------------------|--|
| The Front Shape | Concave Round | High Concave Round |
| Terminations | Soldering(Pin Terminal) | Soldering(Pin Terminal) |
| Switching | NO.3 | NO.3 |
| Max. Switch Rating | 3A/250VAC | 3A/250VAC |
| Contact Resistance | $\leq 50m\Omega$ | $\leq 50m\Omega$ |
| Insulation Resistance | $\geq 1000M\Omega$ | $\geq 1000M\Omega$ |
| Dielectric Strength | 2000VAC | 2000VAC |
| Operating Temp. | - 20°C ~ + 70°C | - 20°C ~ + 70°C |
| Mechanical life | 1,000,000 cycles | 1,000,000 cycles |
| Electrical life | 50,000 cycles | 50,000 cycles |
| Contact material | Silver Alloy | Silver Alloy |
| Panel Thickness | 1 ~ 10mm | 1 ~ 10mm |
| Torque | 5 ~ 14Nm | 5 ~ 14Nm |
| Operation Pressure | 5.5N | 5.5N |
| IP Degree | IP67 | IP67 |
| Material | Button | Stainless Steel/Brass(Nikel Plated, Gold Plated) |
| | Body | Stainless Steel/Brass(Nikel Plated, Gold Plated) |
| | Base | PBT |
| RoHS | Made to order | Made to order |