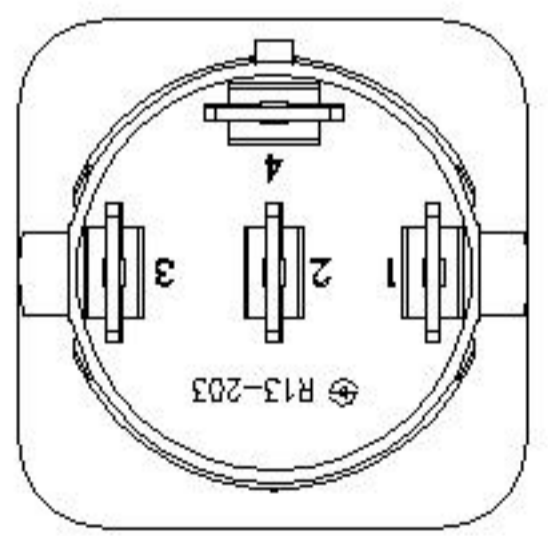
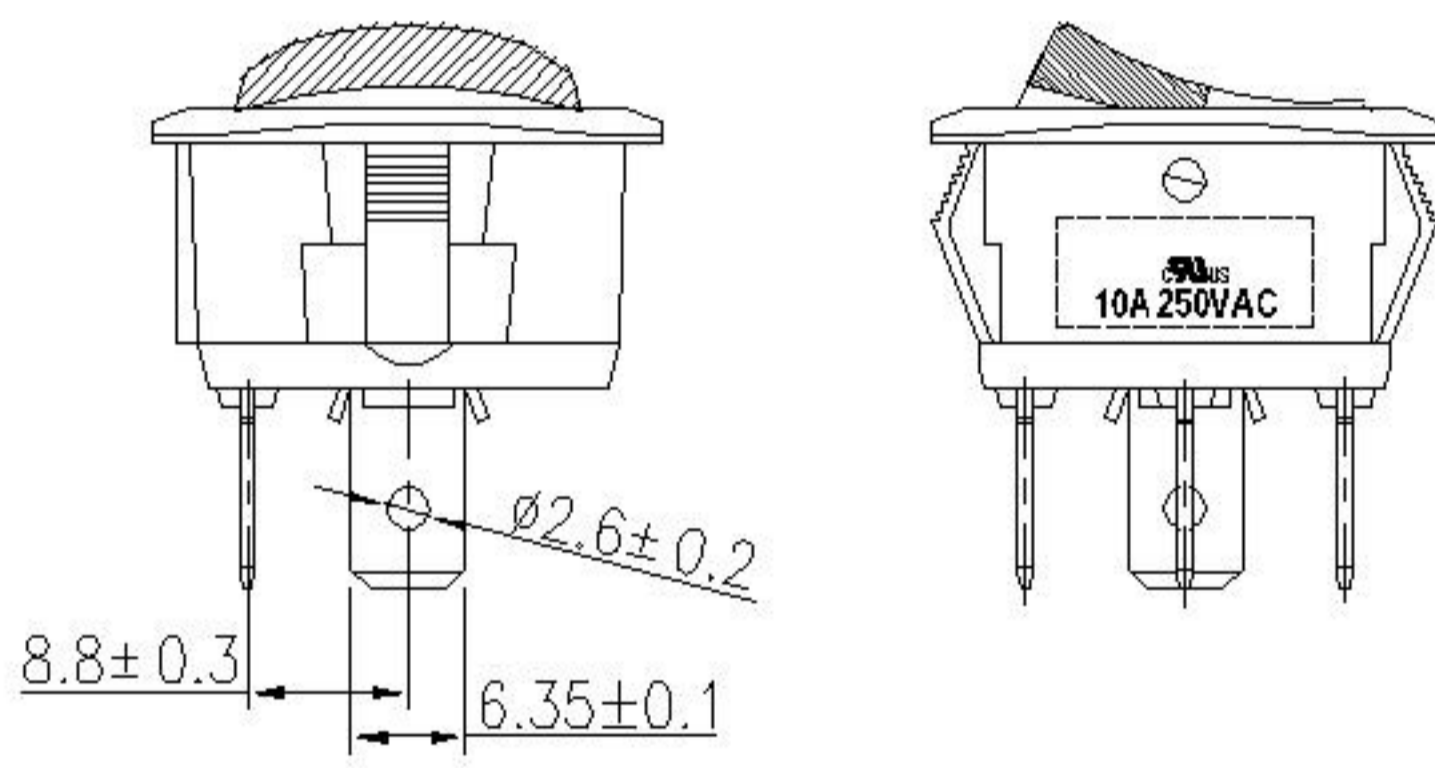
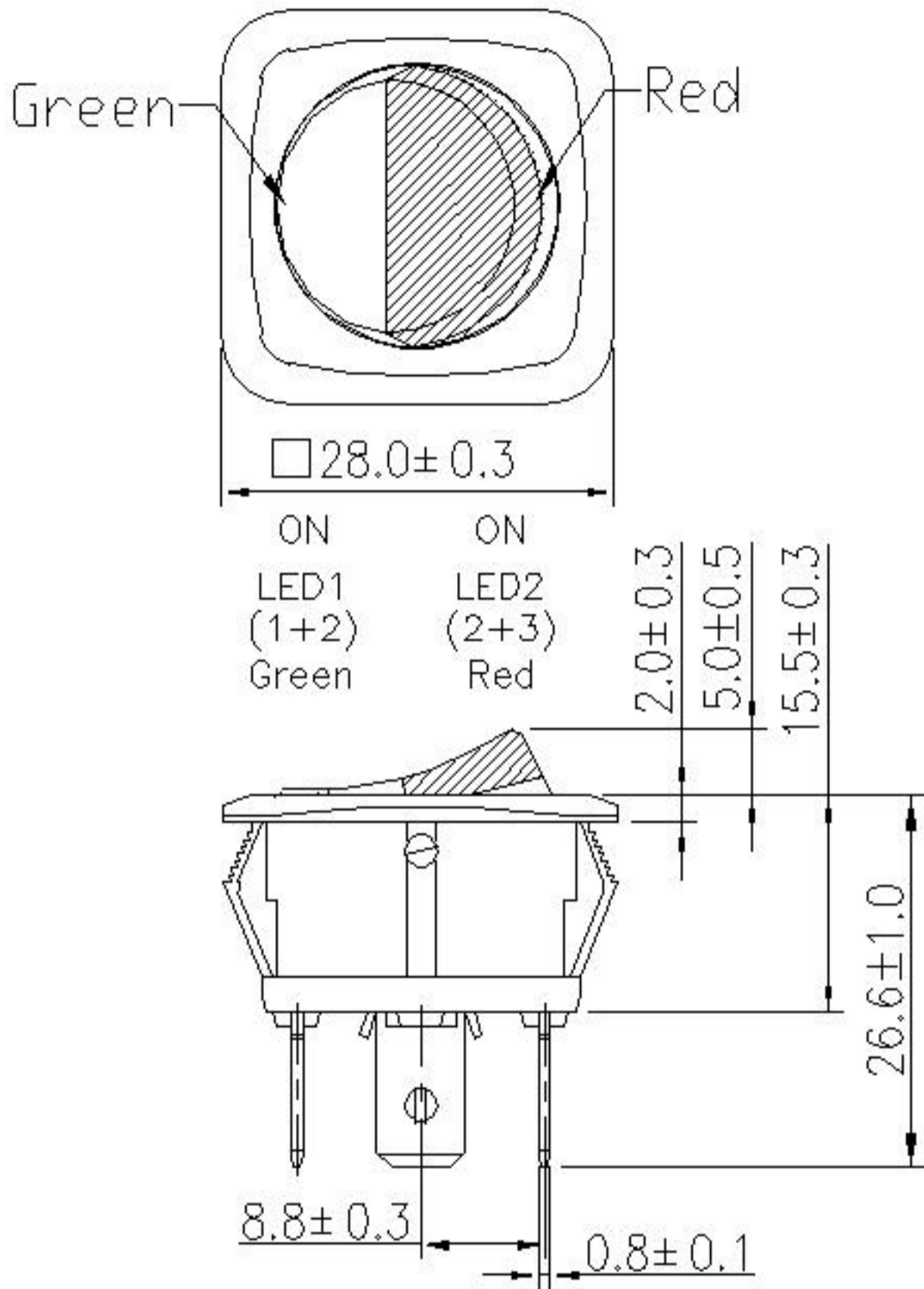


Rating	10A 250V AC		Circuit Diagram
Contact Resistance	50m ohm Max.		Switch ON(1+2), Green LED Lighten
Insulation Resistance	DC 500V 100M ohm Min.		
Dielectric Strength	AC 1500V 1 minute		
Operation Temperature	-25°C~85°C		
Switch Function	4P SPDT ON-ON (2*LED)	Thickness 1.0~4.0 mm	Switch ON(2+3), Red LED Lighten



*MATERIAL:
 Frame: Nylon 66 (94 V-2),Black.
 Actuator: PC (94 V-2).Green\Red
 Terminals: Silver plated Copper alloy
 Printed: None
 LED1: Switch ON(1+2), Green LED Lighten
 LED2: Switch ON(2+3), Red LED Lighten

						△
						△
Date	Name	Description				NO
Drawn	Checked	Approved	SCI BOM No.	Model Name	ROCKER SWITCH	
蘇崇仁			Customer No.	Model No.	R13-203CL3-01-BGRGR5	REV.
4/1/'09			Unit	mm	SHIN CHIN INDUSTRIAL CO., LTD. 0	