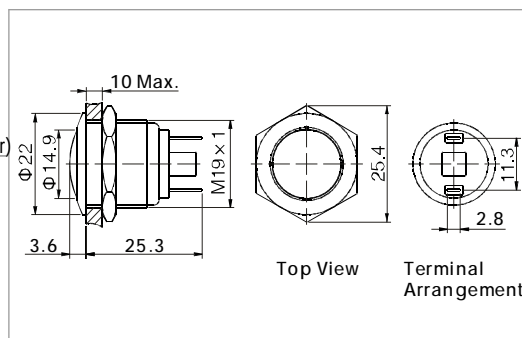


ANTI-VANDALpush button



GQ19B-10/J/Ø

- ⊙ Φ19mm diameter
- ⊙ Switch Rating:2A/36VDC
- ⊙ Contact Configuration:1NO(1NC Made to order)
- ⊙ Operation Type: Momentary
- ⊙ The Front Shape: Domed
- ⊙ The crust material: Stainless Steel/
Brass(Nickel plated, Gold plated)
- ⊙ IP Degree:IP65

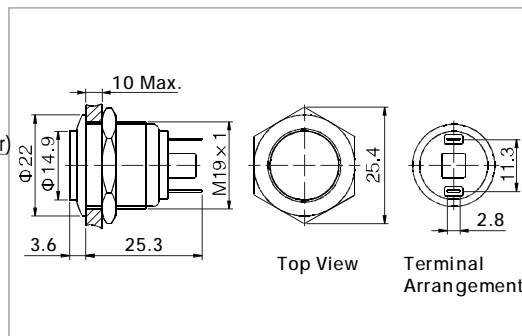


ANTI-VANDALpush button



GQ19F-10/J/Ø

- ⊙ Φ19mm diameter
- ⊙ Switch Rating:2A/36VDC
- ⊙ Contact Configuration:1NO(1NC Made to order)
- ⊙ Operation Type: Momentary
- ⊙ The Front Shape: Flat Round
- ⊙ The crust material: Stainless Steel/
Brass(Nickel plated, Gold plated)
- ⊙ IP Degree:IP65

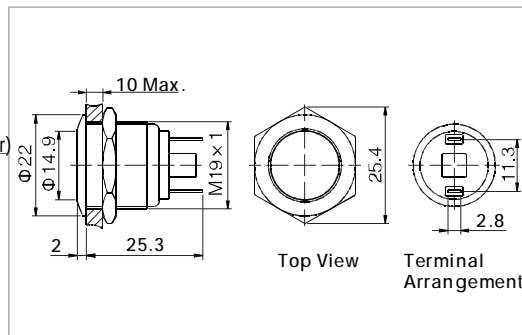


ANTI-VANDALpush button



GQ19H-10/J/Ø

- ⊙ Φ19mm diameter
- ⊙ Switch Rating:2A/36VDC
- ⊙ Contact Configuration:1NO(1NC Made to order)
- ⊙ Operation Type: Momentary
- ⊙ The Front Shape: High Round
- ⊙ The crust material: Stainless Steel/
Brass(Nickel plated, Gold plated)
- ⊙ IP Degree:IP65



Specification	GQ19B-10/J/Ø	GQ19F-10/J/Ø	GQ19H-10/J/Ø	
The Front Shape	Domed	Flat Round	High Round	
Terminal Type	Pin Terminal(2×0.5mm)	Pin Terminal(2×0.5mm)	Pin Terminal(2×0.5mm)	
Switching	No.1	No.1	No.1	
Max.Switch Rating	2A/36VDC	2A/36VDC	2A/36VDC	
Contact Resistance	≤50mΩ	≤50mΩ	≤50mΩ	
Insulation Resistance	≥1000MΩ	≥1000MΩ	≥1000MΩ	
Dielectric Strength	2000VAC	2000VAC	2000VAC	
Operating Temp	-20℃ ~ +55℃	-20℃ ~ +55℃	-20℃ ~ +55℃	
Mechanical life	1,000,000 cycles	1,000,000 cycles	1,000,000 cycles	
Electrical life	200,000 cycles	200,000 cycles	200,000 cycles	
Panel Thickness	1 ~ 10mm	1 ~ 10mm	1 ~ 10mm	
Torque	5 ~ 14Nm	5 ~ 14Nm	5 ~ 14Nm	
Operation Pressure	About 4N	About 4N	About 4N	
Operation Distance	About 1.8mm	About 1.8mm	About 1.8mm	
IP Degree	IP65	IP65	IP65	
Material	Contact	Silver Alloy	Silver Alloy	
	Button	Stainless Steel/Brass(Nickel plated, Gold plated)	Stainless Steel/Brass(Nickel plated, Gold plated)	Stainless Steel/Brass(Nickel plated, Gold plated)
	Body	Stainless Steel/Brass(Nickel plated, Gold plated)	Stainless Steel/Brass(Nickel plated, Gold plated)	Stainless Steel/Brass(Nickel plated, Gold plated)
	Base	PBT	PBT	PBT
RoHS	Made to order	Made to order	Made to order	