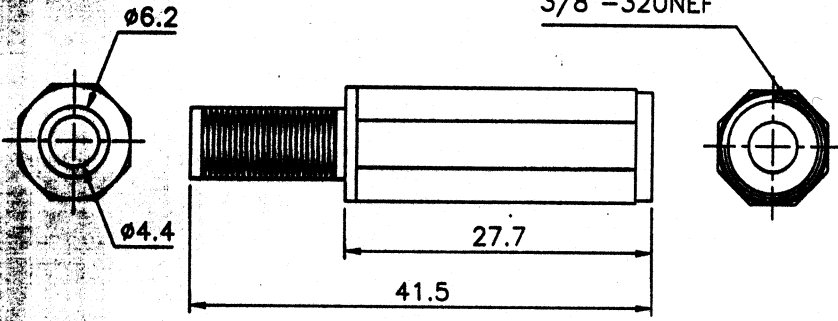
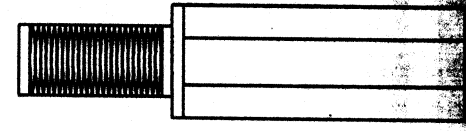
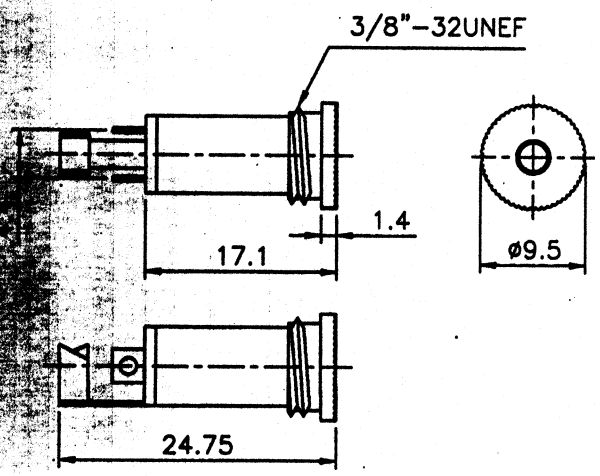


SEE DRAWING AND SPECIFICATIONS FOR THE
 COMPLETE PROPERTY OF THIS AND SHALL NOT
 BE APPROVED OR COPIED OR REPRODUCED IN WHOLE
 OR IN PART WITHOUT WRITTEN PERMISSION.



SPECIFICATION:
 1. PLASTIC HANDLE WITH CABLE



ASSEMBLY

DESIGNER	DATE
WELD NO.	
R11HP054	

TOLERANCES ARE IN FRACTIONS UNLESS AWARDED
± 0.2 [0.008]
JK ± 0.12 [0.005]

MATERIAL
FINISH
COLOR

2.5mm STEREO IN-LINE JACK

P/N	
PROJECT NO.	
SCALE	1/1
SER	A4
SHEET	1
OF	1
REV	

DRAWN	
APPROVAL	

KKKKS 25 # 28325