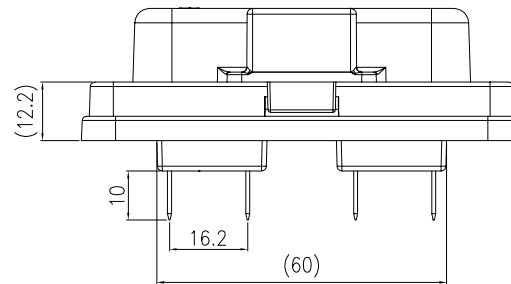
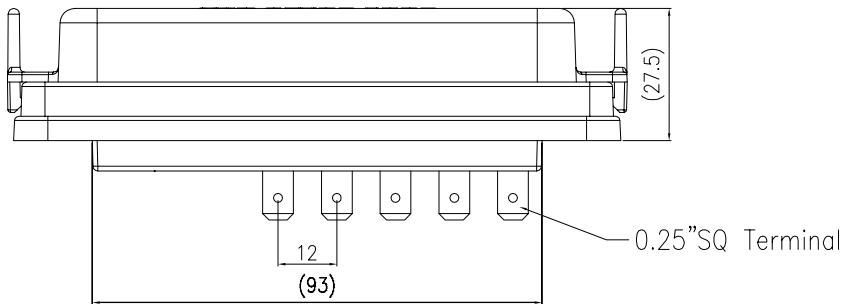
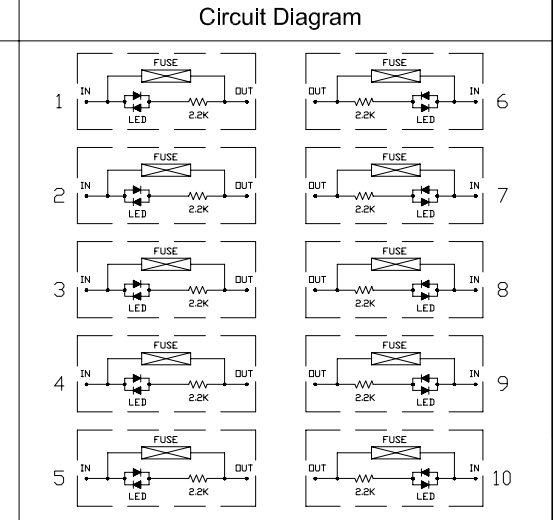
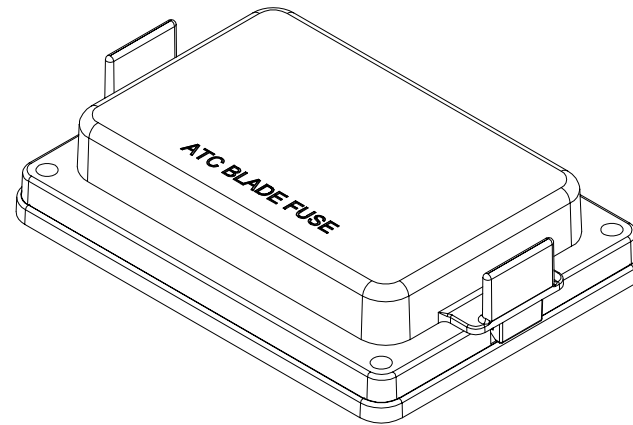


Voltage (Max.)	32 VDC.
Input Terminal Rating	0.25 Terminal
Output Terminal Rating	25A max. load per circuit.
Connection Pad Option Available	Input wire size : #10-16 AWG.
	Output wire size : #10-16 AWG.
Fuse Specifications	For ATC Blade Fuses Used Only
Mounting Torque Rating	8 in-lb (0.9Nm) max.
Environmental Rating	IP X5
Temperature Rating	-25 °C to +85 °C

Mounting Holes	ATC Blade Fuse Isometric View
Terminal Dim.	Blade Fuse Dim.



Material :
 Cover : PC. (Black)
 Housing & Base : PBT. (Black)
 Terminal : Copper

NOTE:
 Tolerance ± 0.5 except noticed

				Drawn	Checked	Approved	SCI BOM No.		Model Name	REAR TERMINAL ATC BLADE FUSE BLOCK (10P)
				Rock Hsu			Customer No.		Model No.	R3-82-01-1L310
Date	Name	Description	NO	09/16/11			Unit	mm	Shin Chin Industrial Co., Ltd.	REV. X_1