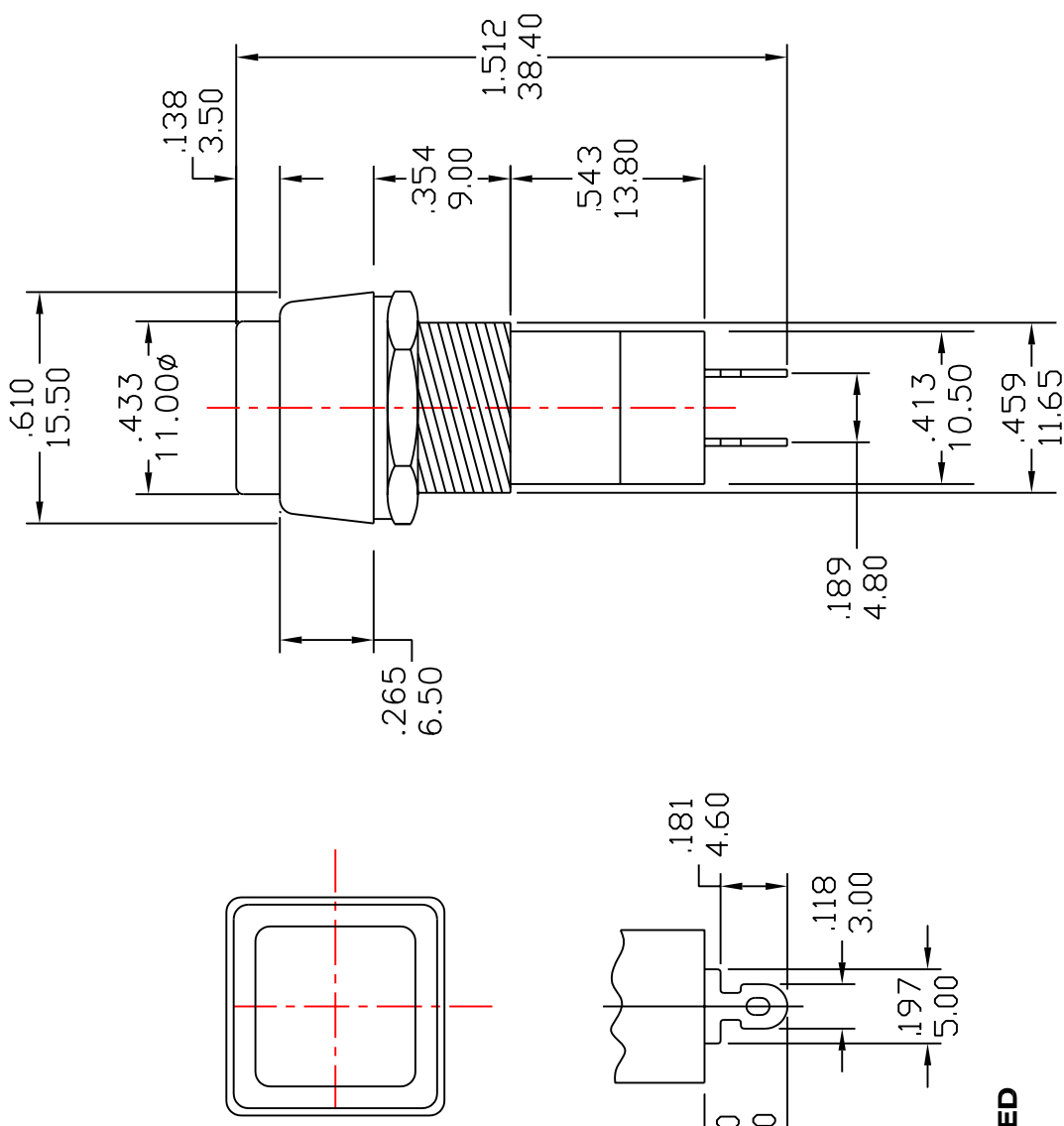


R18-23 DIMENSIONS



RATING : 1A 250VAC/ 3A 125VAC
DIELECTRIC STRENGTH : 1000 VAC 1 minute
CONTACT RESISTANCE : 30mΩ (max)
INSULATION RESISTANCE :
 100 MΩ min (at 500 VDC)
ELECTRICAL LIFE : 30,000 (min)
MECHANICAL LIFE : 50,000 (min)
PUSH FORCE : >0.3kg

MATERIAL :
BUTTON : ABS
CASE : PHENOLIC
TERMINAL : COPPER, ALLOY (SILVER or GOLD) PLATED
CONTACT : SILVER PLATED
WASHER NUT : STEEL, NICKEL PLATED
SPRING : STAINLESS STEEL WIRE

Model No.	TYPE	nominal tolerance		part no. R18-23	material		
		range	tolerance			check	
R18-23A	OFF-ON	0-1	±0.10	scale 2:1 unit m/m (inch)	rev. 2	drawer	check
R18-23B	OFF-(ON)	1-4	±0.20		rev. 2	date	2005/03/21
R18-23C	ON-(OFF)	4-16	±0.30		part name.	R18 Pushbutton Switches	Jessica