

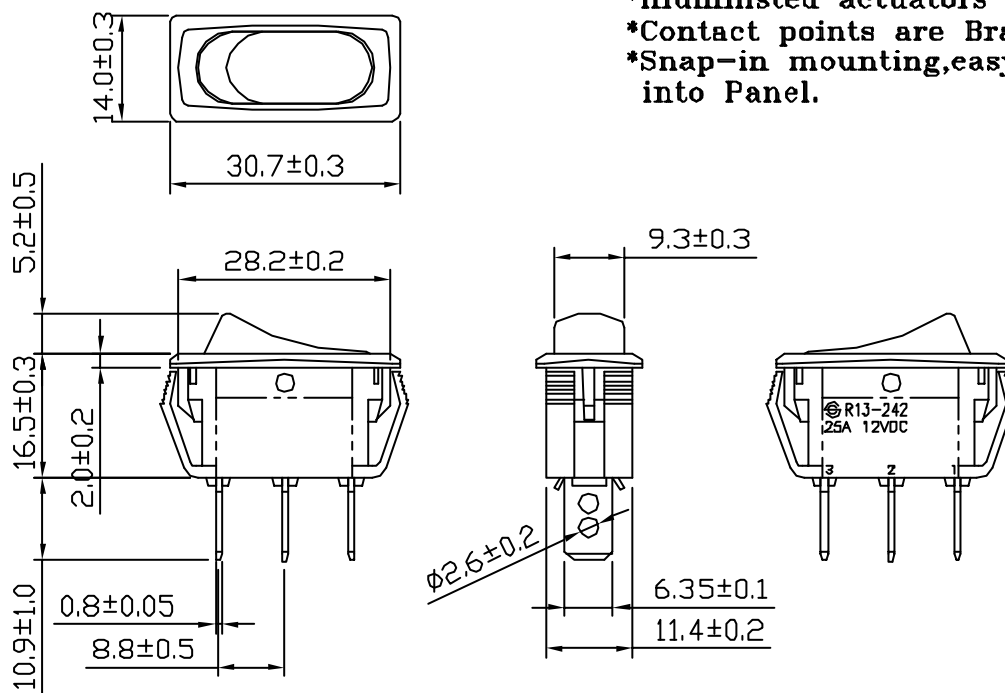
Rating	25A 12VDC	Mounting Hole	Circuit Diagram	
Contact R	50m ohm Max.		A	
Insulation R	DC 500V 100M ohm Min.		D	
Dielectric Strength	AC 1500V 1 minute		B	
Operation Temperature	-20°C~85°C		L	
Circuit	SEE TABLE		C	
		Thickness	X	Y
		0.75...2.0	28.5+0.1	11.6+0.1
		2.0...3.0	28.7+0.1	11.6+0.1
		3.0...4.0	29.0+0.1	11.6+0.1

R13-242□-01

FUNCTIONS

A	2P SPST ON-OFF
B	3P SPST ON-OFF(Illuminated)
C	3P SPDT ON-ON
D	3P SPDT ON-OFF-ON
L	3P SPST ON-OFF (LED)

- \*MATERIAL:Framers/Rocker are Nylon, Terminals are Brass.
- \*Illuminated actuators are molded in PC.
- \*Contact points are Brass.
- \*Snap-in mounting,easy to install Switch into Panel.



C8\R13\R13-242 SERIES

							△
							△
Date	Name	Descriptions					NO
Drawing	Check	Approval	SCI No.		Model Name	ROCKER SWITCH	
王佰山		王佰山	Customer No.		Model No.	R13-242 SERIES	
04/23/'03		04/23/'03	Unit	mm	SHIN CHIN INDUSTRIAL CO., LTD.		