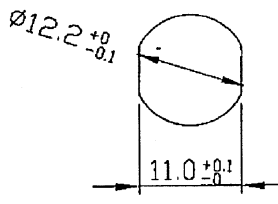

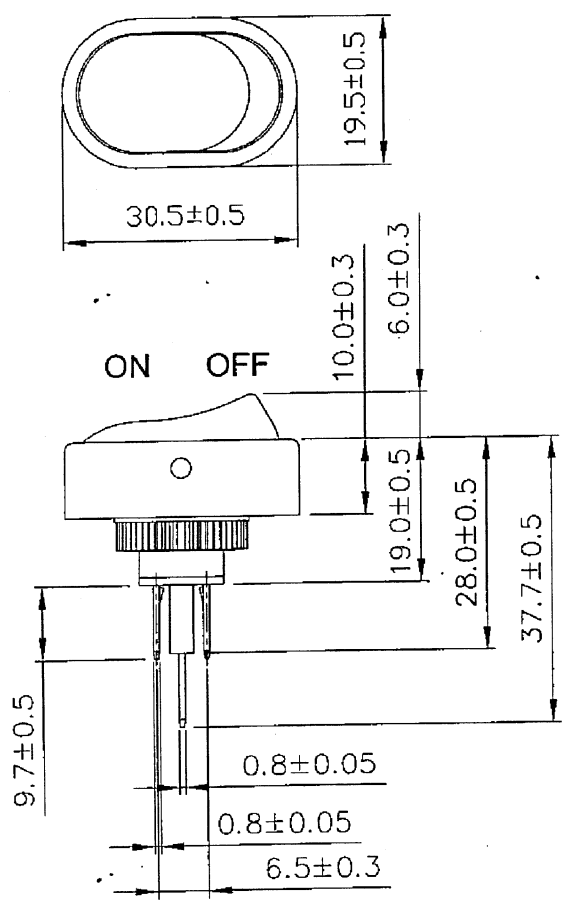
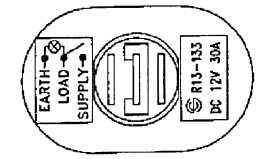
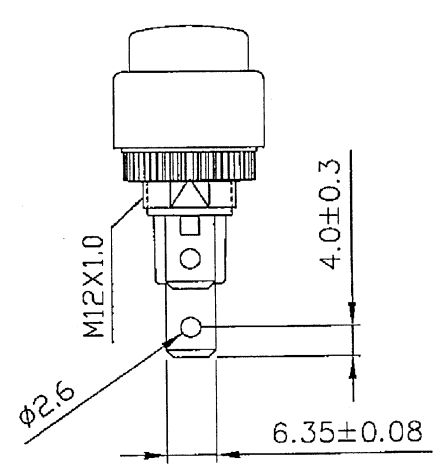


Rating	30A 12V DC	Mounting Hole 	Circuit Diagram 
Contact Resistance	50m ohm Max.		
Insulation Resistance	DC 500V 100M ohm Min.		
Dielectric Strength	AC 1500V 1 minute		
Operation Temperature	-25°C~85°C		
Switch Function	3P SPST ON-OFF		



Material:  
 Housing:Nylon#66,Black.  
 Button:PC,Green\Red\Blue\Yellow.  
 Button Housing:PC,White.  
 Printed:None.



						△	
						△	
						NO	
Date	Name	Description					
Drawn	Checked	Approved	SCI BOM No.	1824816	Model Name	ROCKER SWITCH	
蘇崇仁		<i>[Signature]</i>	Customer No.		Model No.	R13-133B3-01	REV.
5/24/10		<i>[Signature]</i>	Unit	mm	SHIN CHIN INDUSTRIAL CO., LTD.		0