

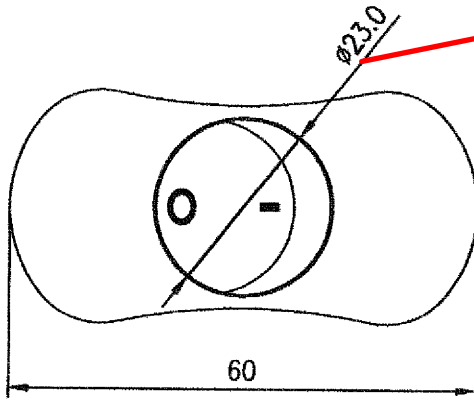
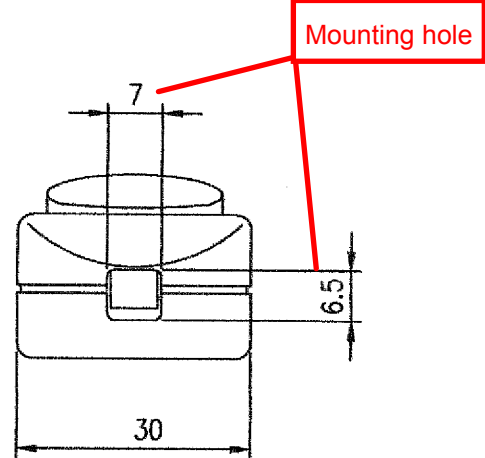
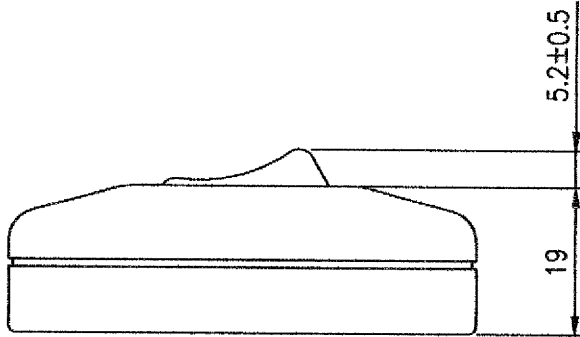


Rating	6A 125V AC 3A 250V AC		Circuit Diagram 
Contact Resistance	50m ohm Max.		
Insulation Resistance	DC 500V 100M ohm Min.		
Dielectric Strength	AC 1500V 1 minute		
Switch Function	2P SPST ON-OFF		

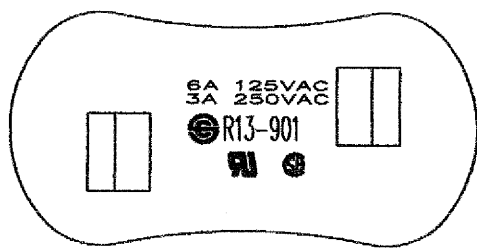


Switch button diameter

Material:  
Frame: Nylon 66 (94-V2), Black  
Actuator: Nylon 66 (94-V2), Black



Mounting hole



Tolerances Unless Otherwise Specified ±0.3

A4

							△
							△
Date	Name	Description				No.	
Drawn	Checked	Approved	SCI BOM No.	Model Name	IN-LINE SWITCH		
Zhong			Customer No.	Model No.	R13-901	Rev.	
01/14/11			Unit	mm	Shin Chin Industrial Co., Ltd.		
						X1	