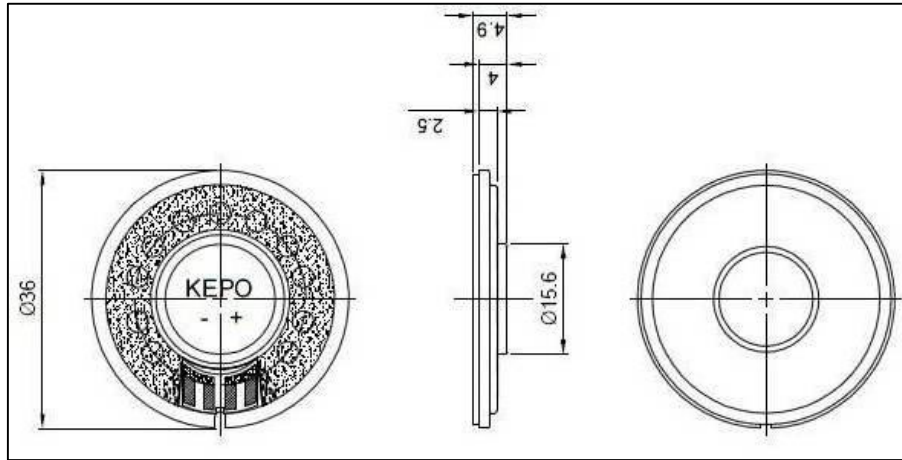


Technical datasheet: KP3642SP1-5840

Specifications:

Input power	Rated 0.5W / Max. 1.0W
Impedance	$8\Omega \pm 15\%\Omega$ (1Vrms at 1.5kHz)
Frequency Range	0Hz to 6.0kHz
Resonant Frequency	$500\text{Hz} \pm 20\%\text{Hz}$
Distortion	<10% Max. at 2kHz/2W
Out-diameter	$\varnothing 36\text{mm}$
Height	4.0mm
Weight	9 g
SPL	$86\text{dB} \pm 3\text{dB}$ (0.1w/0.1m at 1kHz)
Buzz and Rattle	No audible buzzes, rattles when 2.0V sine wave signal is swept at frequency range.

Dimensions:



Frequency Response:

