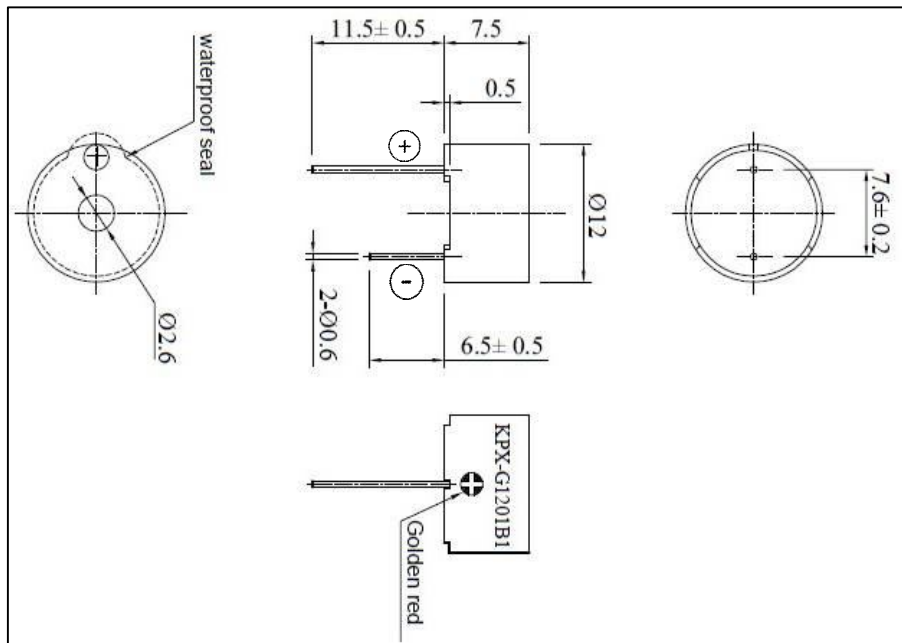


Technical datasheet: KPX-G1201B1-K6402

Specifications:

Operating Temperature	-20°C to +70°C
Storage Temperature	-30°C to +80°C
Rated Voltage	1.5VDC
Operating Voltage	1VDC to 2VDC
Max. Rated Current	30mA at 1.5VDC
Resonant Frequency	3.1kHz±0.5kHz
Min SPL	75dB/ 1.5VDC/ 10cm
Weight	2g
Case Material/Color	PBT/Gray
Tone Nature	Continuous

Dimensions:



Frequency Response:

