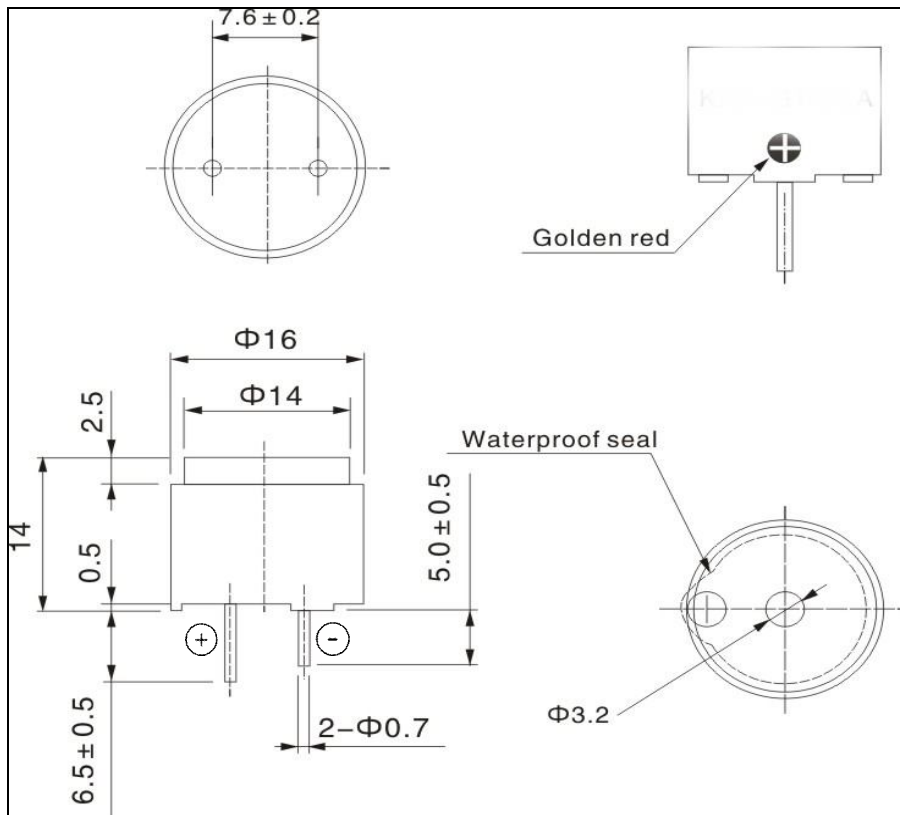


# Technical datasheet: KPX-G1605A-K6404

## Specifications:

Operating Temperature	-20°C to +70°C
Storage Temperature	-30°C to +80°C
Rated Voltage	5VDC
Operating Voltage	4VDC to 8VDC
Max. Rated Current	30mA at 5VDC
Resonant Frequency	2.3kHz±0.3kHz
Min SPL	85dB/ 5VDC/ 10cm
Weight	7g
Case Material/Color	MPPPO/Black
Tone Nature	Continuous

## Dimensions:



## Frequency Response:

