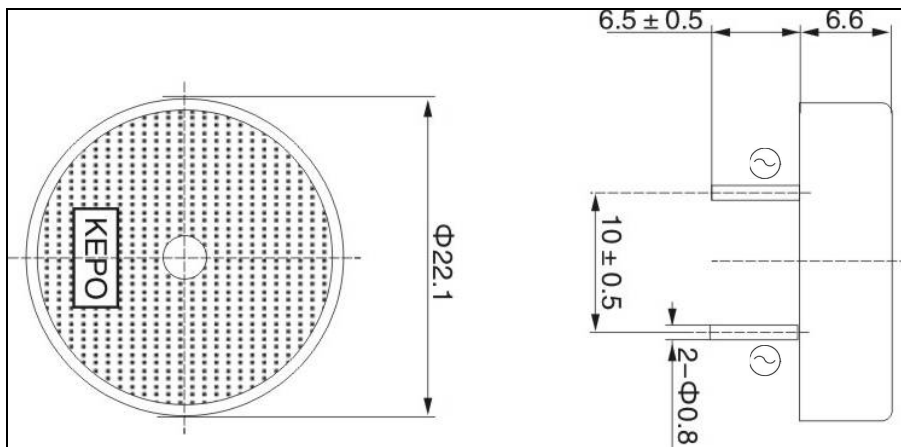


Technical datasheet: KPT-G2260-K6240

Specifications:

Operating Temperature	-20°C to +80°C
Storage Temperature	-30°C to +100°C
Rated Voltage	10Vp-p Square Wave
Max Allowable Voltage	30Vp-p Square Wave
Min SPL	84dB at 10Vp-p/4.0kHz/10cm
Capacitance at 100HZ	14000PF±30%PF
Weight	2.5g
Case Material/Color	PA/Black
Tone Nature	Continues

Dimensions:



Frequency Response:

