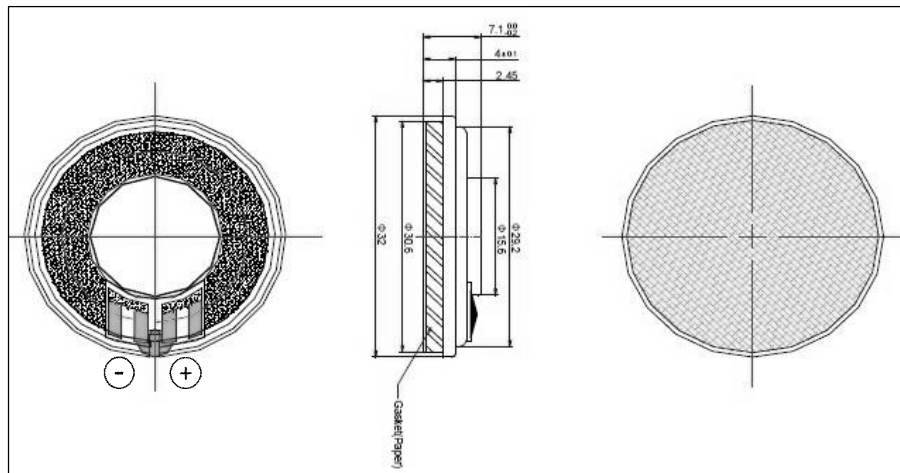


Technical datasheet: KP3246SP1F-5839

Specifications:

Input power	Rated 1.5W / Max. 1.8W
Impedance	$8\Omega \pm 15\% \Omega$ (1Vrms at 1kHz)
Frequency Range	0Hz to 20kHz
Resonant Frequency	400Hz \pm 20%Hz
Distortion	<15% Max. at 1kHz/1.5W
Out-diameter	$\varnothing 32\text{mm}$
Height	7.1mm
Weight	8.6g
SPL	90dB \pm 3dB (0.1w/0.1m at AVG 0.8,1.0,1.2,1.5KHz)
Buzz and Rattle	No audible buzzes, rattles when 3.46V sine wave signal is swept at frequency range.

Dimensions:



Frequency Response:

