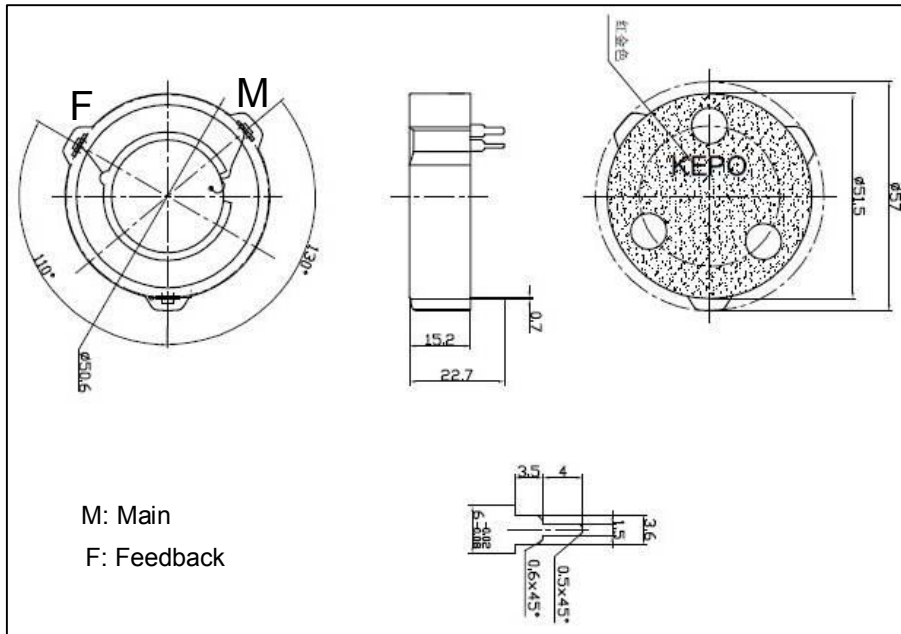


# Technical datasheet: PCT-G5700-K6319

## Specifications:

Operating Temperature	-20°C to +60°C
Storage Temperature	-30°C to +80°C
Rated Voltage	12Vp-p Square Wave
Max Allowable Voltage	60Vp-p Square Wave
Min SPL	100dB at 12Vp-p/3.3kHz/10cm
Capacitance at 100HZ	20000PF±30%PF
Weight	14g
Case Material/Color	PA/Black
Tone Nature	Continues

## Dimensions:



## Frequency Response:

