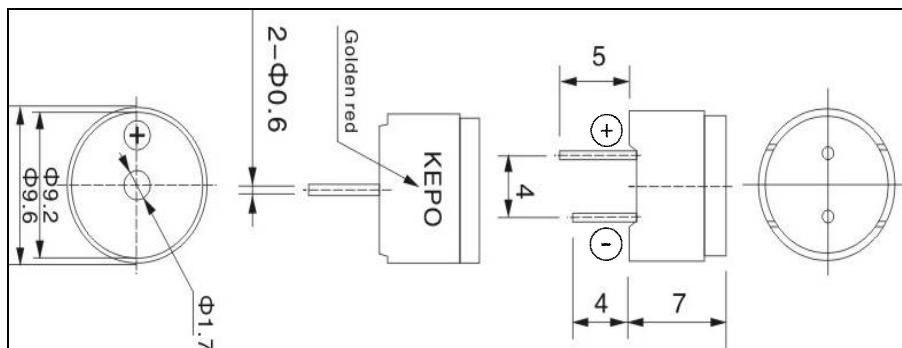


Technical datasheet: KPMG09A-K6326

Specifications:

| | |
|-----------------------|-------------------------------|
| Operating Temperature | -20°C to +70°C |
| Storage Temperature | -30°C to +80°C |
| Rated Voltage | 1.5VDC |
| Operating Voltage | 1VDC to 2VDC |
| Max. Rated Current | 80mA at 1.5VDC |
| Resonant Frequency | 3100Hz |
| Min SPL | 80dB / 1.5VDC / 3100Hz / 10cm |
| Coil Resistance | 5.5Ω ± 1Ω |
| Coil Impedance | 9.5Ω ± 3Ω |
| Weight | 1g |
| Case Material/Color | PBT/Black |

Dimensions:



Frequency Response:

