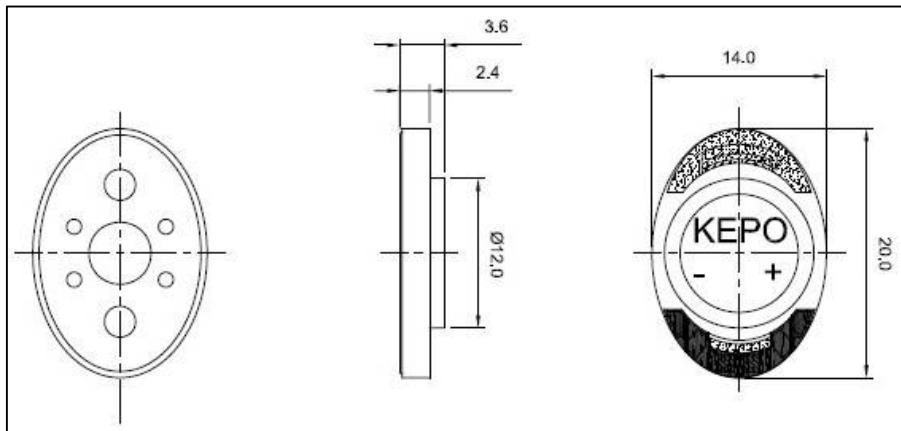


# Technical datasheet: KP2014SP1-5831

## Specifications:

Input power	Rated 0.5W / Max. 1.0W
Impedance	$8\Omega \pm 15\%\Omega$ (1Vrms at 1.5kHz)
Frequency Range	0Hz to 20kHz
Resonant Frequency	$950\text{Hz} \pm 20\%\text{Hz}$
Distortion	<10% Max. at 2kHz/2Vrms
Out-diameter	20x14mm
Height	3.4mm
Weight	1.6g
SPL	$86\text{dB} \pm 3\text{dB}$ (0.1W/0.1M at 1kHz)
Buzz and Rattle	No audible buzzes, rattles when 2.0V sine wave signal is swept at frequency range.

## Dimensions:



## Frequency Response:

