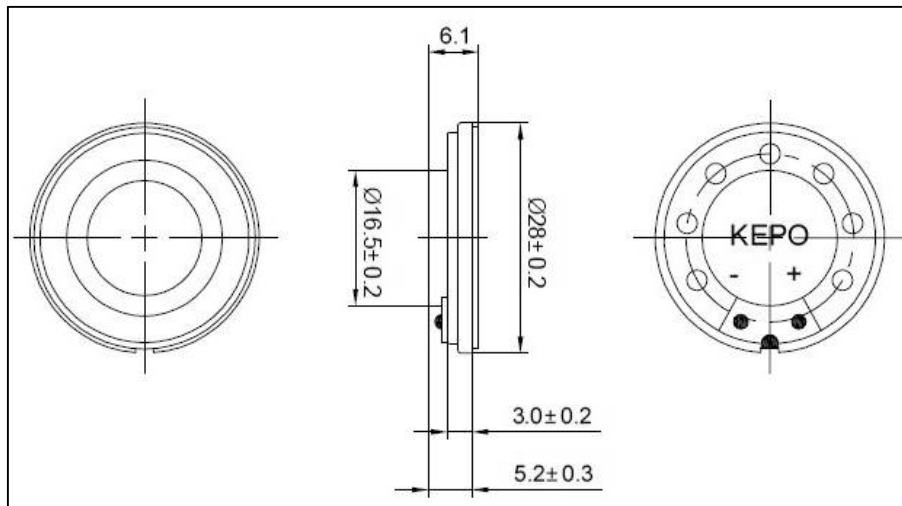


Technical datasheet: KP2852SP1F-5837

Specifications:

Input power	Rated 0.5W / Max. 1.0W
Impedance	$8\Omega \pm 15\% \Omega$ (1Vrms at 1KHz)
Frequency Range	0Hz to 10kHz
Resonant Frequency	$550\text{Hz} \pm 20\% \text{Hz}$
Distortion	<10% Max. at 2kHz/2Vrms
Out-diameter	$\varnothing 28\text{mm}$
Height	5.2mm
Weight	9g
SPL	$87\text{dB} \pm 3\text{dB}$ (0.1W/0.1M at 1kHz)
Buzz and Rattle	No audible buzzes, rattles when 2.0V sine wave signal is swept at frequency range.

Dimensions:



Frequency Response:

