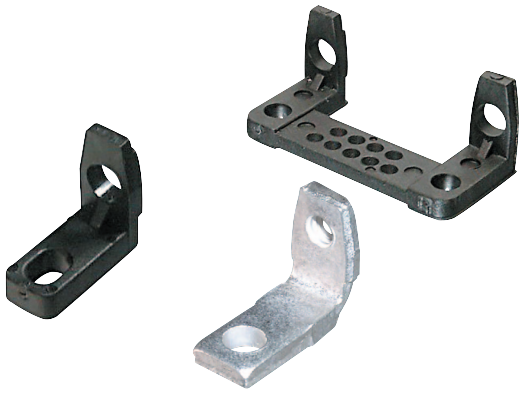


Winkel für D-Sub-Steckverbinder
Brackets for D-Sub-connectors



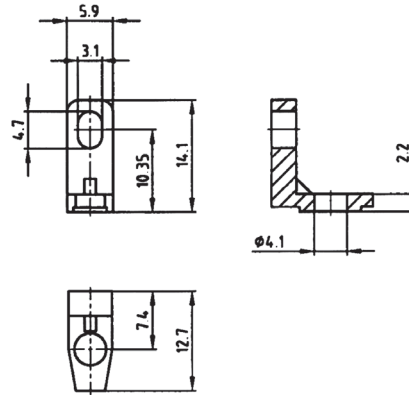
Merkmale

Diese Winkel für D-Sub Steckverbinder sind in Kunststoff (mit & ohne Zentrierung) und Metall (ohne Zentrierung) erhältlich.

Features

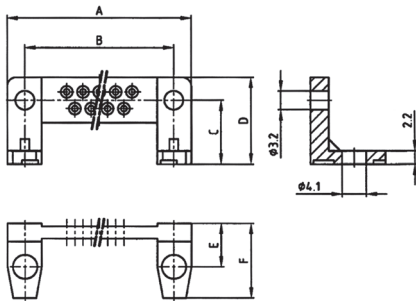
These brackets for D-Sub-miniature connectors are available in plastic (with & without centers) and metal (without centers)

AWK

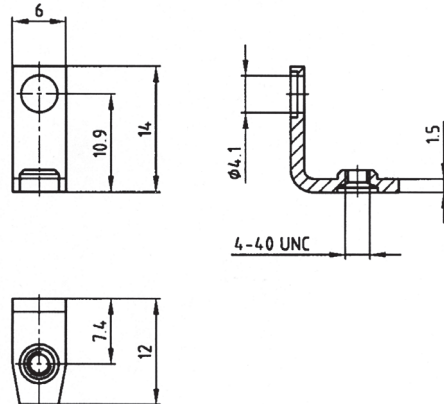


Dimensions						
No. of contacts	A	B	C	D	E	F
09	30.9	25.0	10.70	14.6	7.4	12.7
15	39.2	33.3	10.70	14.6	7.4	12.7
25	53.0	47.0	10.70	14.6	7.4	12.7
37	69.4	63.5	10.70	14.6	7.4	12.7
50	67.1	61.1	11.94	14.6	8.8	14.0

ABW



AWMS



Bestellcode : **ABW - x**
Ordercode :

Bitte „x“ durch die unten geeignete Option ersetzen
Please replace „x“ with appropriate option listed below

1.

1. Polzahl
09, 15, 25, 37, 50

No. of contacts
09, 15, 25, 37, 50

Bestellcode : **AW - x - 9/50**
Ordercode :

Bitte „x“ durch die unten geeignete Option ersetzen
Please replace „x“ with appropriate option listed below

1.

1. Winkel
K -Kunststoffwinkel ohne Zentrierung
MS -Metallwinkel ohne Zentrierung

Bracket
K -Plastic bracket without centers
MS -Metal bracket without centers

D-Sub / Hoods
Centronics

Multiflex

Modular

USB

Switches

Powercords
Powersockets

MiniDIN

DIN4161x
Hardmetric

Sockets + Strips
Jumper

1

2

3

4

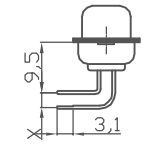
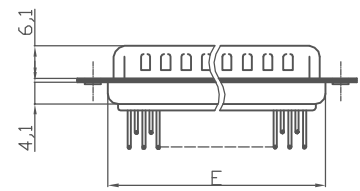
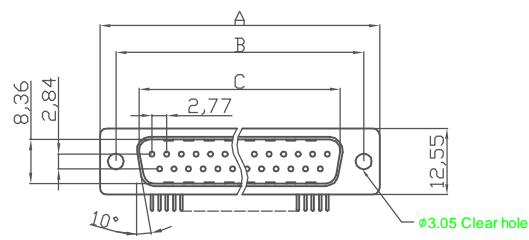
5

6

7

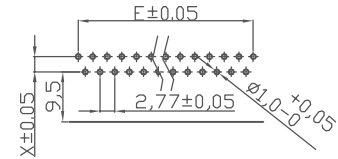
A

A



X = 2.54 or 2.84 mm

9.4 mm Footprint Machined Pin(W/O Rear Cover)



X = 2.54 or 2.84 mm
Recommended PCB Layout
Female/Male

NOTES:

MATERIAL

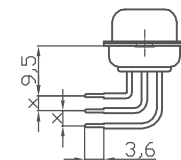
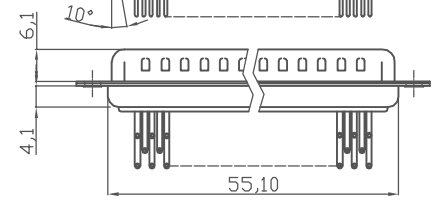
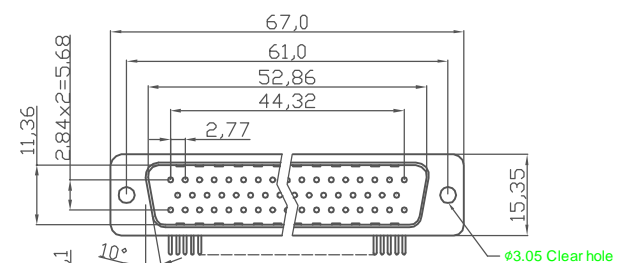
- 1. Insulator Material: Glass-filled thermoplastic PBT, UL94V-0
- 2. Contact Material: Copper alloy
- 3. Shell : Steel, 100 μ" Tin Over 50μ" min Copper

ELECTRICAL

- 1. Current Rating : 5AMP
- 2. Voltage Rating : 250V AC/rms 60Hz
- 3. Contact Resistance: 20mΩ Max at 1 AMP DC
- 4. Insulation Resistance: 1000MΩ at 500 VDC
- 5. Withstand Voltage: 1000V AC/rms 60Hz for 1 minute

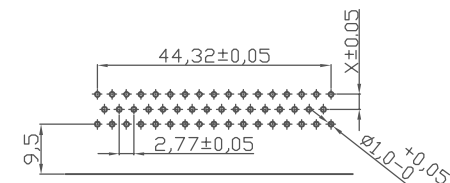
D

D



X = 2.54 or 2.84 mm

50 Positions Machined Pin(W/O Rear Cover)



X = 2.54 or 2.84 mm
Recommended PCB Layout
Female/Male

Dimensions

Positions	A	B	C	E
09	30.81	24.99	16.92	11.08
15	39.20	33.30	25.25	19.39
25	53.05	47.04	38.96	33.24
37	69.40	63.50	55.42	49.86

G

G

RoHS compliant

Unit: mm



File No.: E198287

Scale	1:1
TOLERANCE	
X.	±0.38
X.X	±0.25
X.XX	±0.13
DIM	TOL
X.°	±3°
X.X°	±1.0°
Angle	TOL

Drawn	25.12.2008	Dean	Date	Name	Customer-No.
Approved	25.12.2008	Hellwig			ASSMANN WSW-No.
					A-DS XX AA/Z
① Drawn	25.12.2008	Dean			Drawing-No.
Id.	Modification	Date	Name		ASS 3250 CO
					rev01
					Replace
					Sheet



H

H

1

2

3

4

5

6

7