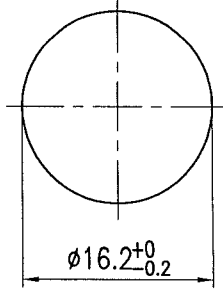
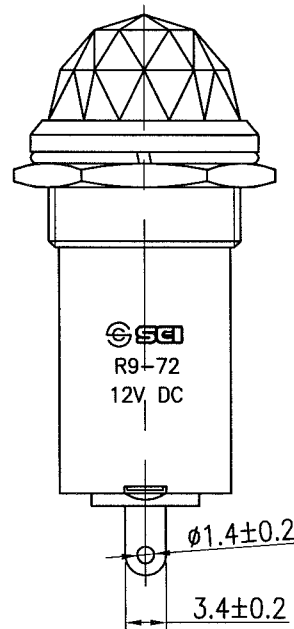
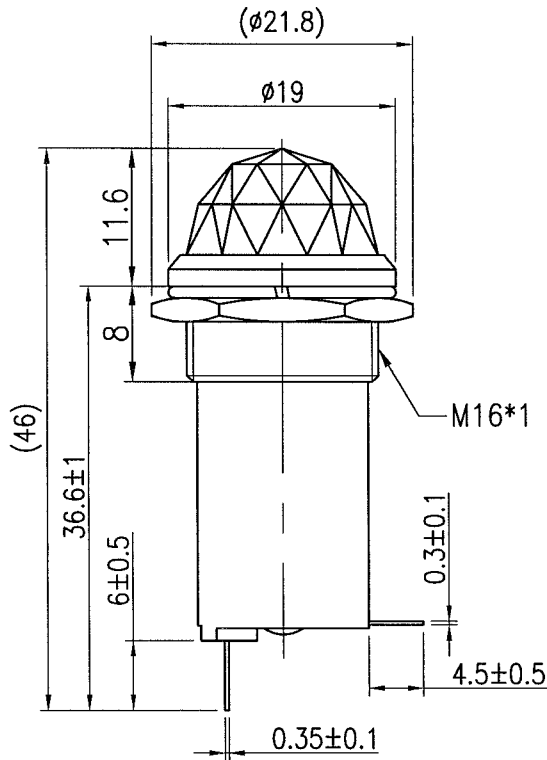
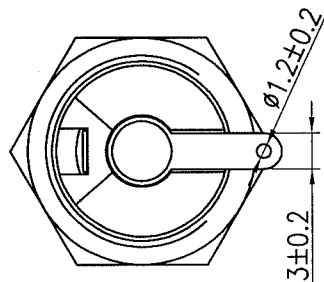


Rating	12V DC	<div style="text-align: center;"> Mounting Hole  </div>
Insulation Resistance	DC 500V 100M ohm Min.	
Dielectric Strength	AC 1500V 1 minute.	
Operation Temperature	-20°C~80°C	



Material:
Housing: Black, PF
Lens: Red, PC
Contact Plate: Copper Alloy



Tolerances Unless Otherwise Specified ± 0.3

							△
							△
Date	Name	Description				No.	
Drawn	Checked	Approved	SCI BOM No.	1730041	Model Name	FILAMENT LAMP INDICATOR	
邱權	<i>[Signature]</i>	<i>[Signature]</i>	Customer No.		Model No.	R9-72B	
02/10/12	<i>[Signature]</i>	2/14-12	Unit	mm		Rev. X0	

[Handwritten signature]
2/14-12